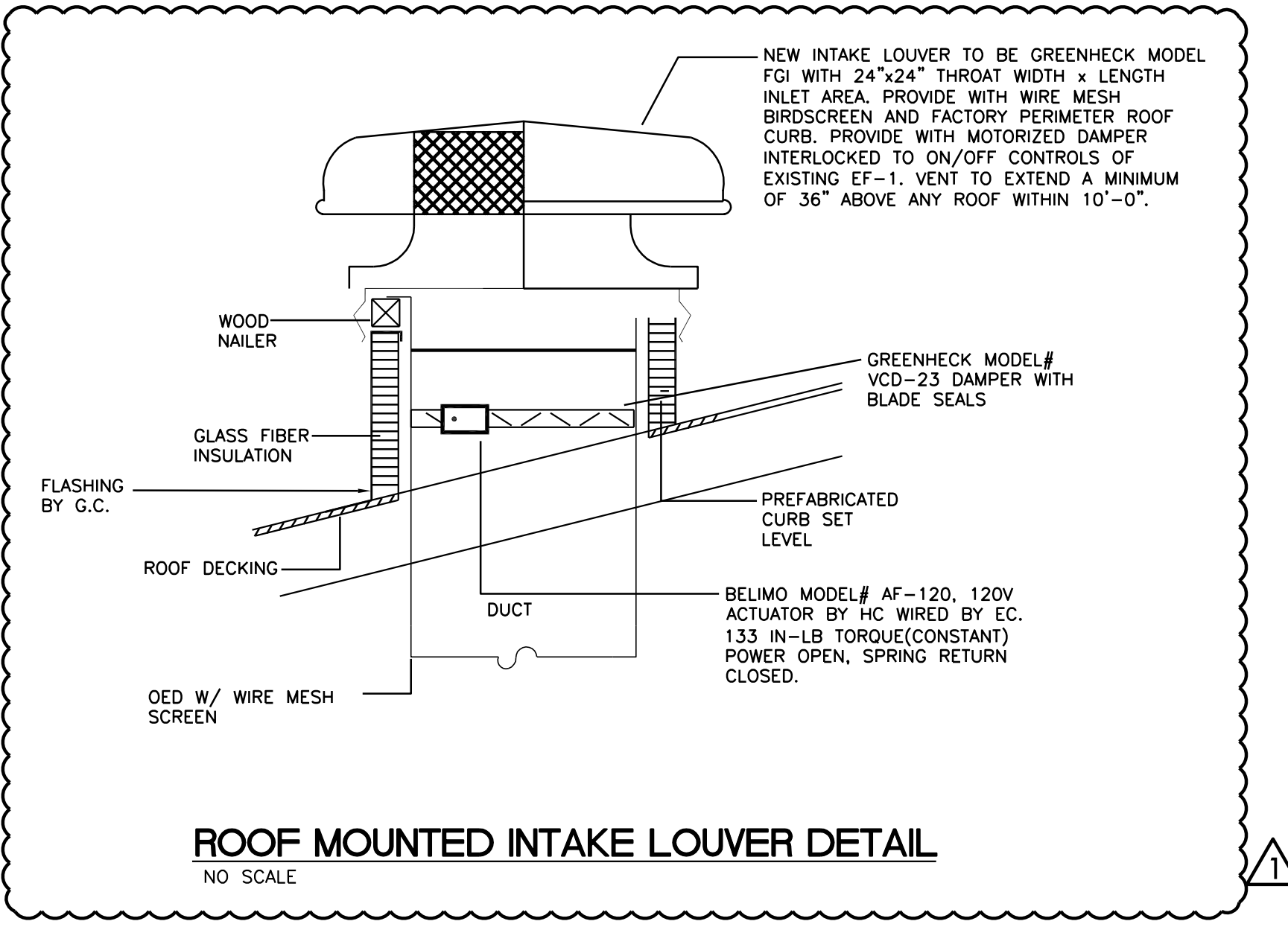
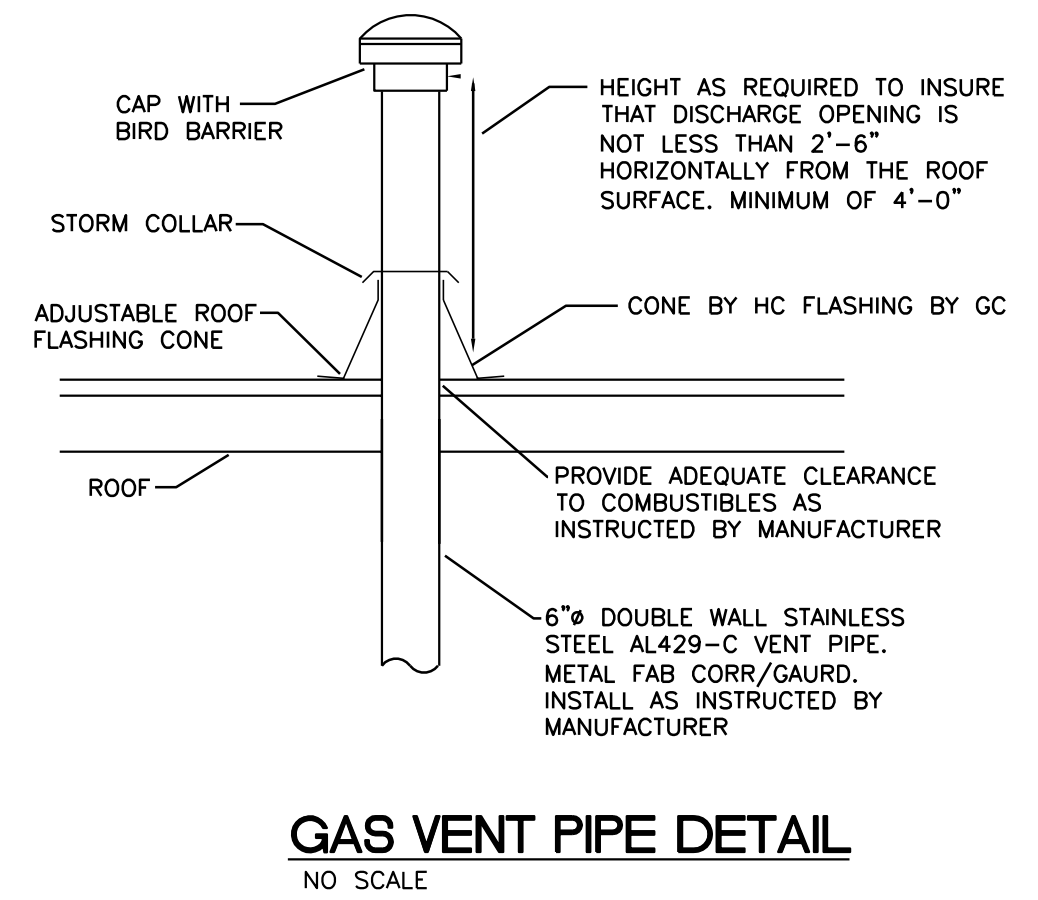
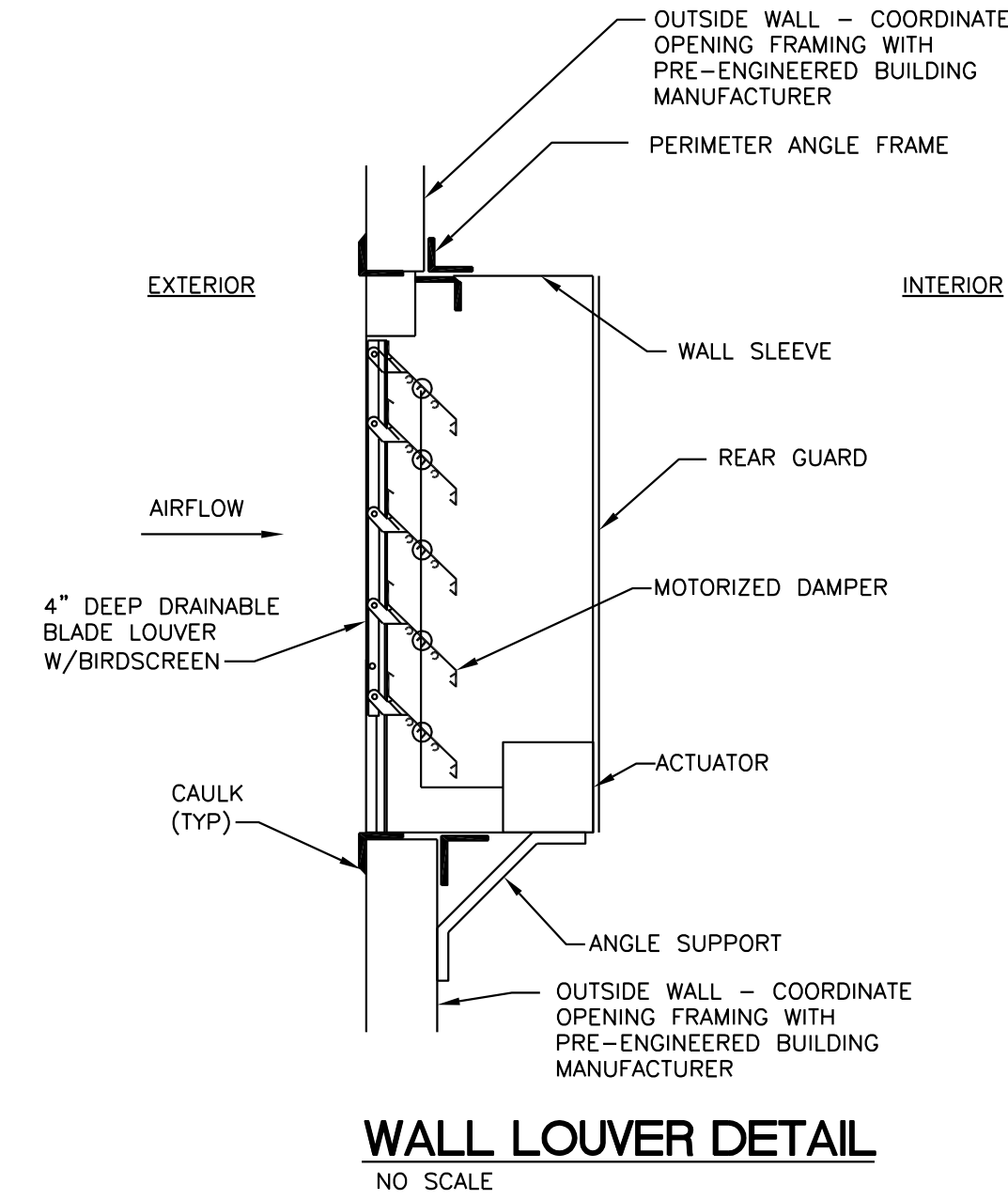


EXHAUST FAN EQUIPMENT SCHEDULE									
TAG NO.	MANUFACTURER	MODEL NO.	CFM	SP	V/P/Hz	HP	RPM	SONES	REMARKS
EF-4	GREENHECK	S1-20-428-B3	3500	.3	120/1/60	1/3	1160	14.3	1,2
EF-5	GREENHECK	S1-12-426-D	650	.25	120/1/60	1/10	1550	6.6	1,2

REMARKS:
 1. PROVIDE WITH UNIT MOUNTED SPEED CONTROLLER, ELECTRICAL DISCONNECT, MSAC MOTOR STARTERS & SINGLE POINT CONNECTION.
 2. PROVIDE WITH SIDE WALL HOUSING, MOTOR SIDE GUARD, MOTOR OPERATED DAMPER AND WEATHER GUARD.

GAS FIRED UNIT HEATER SCHEDULE							
TAG NO.	MANUFACTURER	MODEL NO.	BTU/h INPUT	BTU/h OUTPUT	V/P/Hz	FLA	REMARKS
GFUH-1	REZNOR	F-100	100,000	80,000	120/1/60	2.8	1

REMARKS:
 1. PROVIDE WITH 4-POINT SUSPENSION KIT W/ VIBRATION DAMPERS, TWO-STAGE THERMOSTATS W/ RELAY KIT, HORIZONTAL AND VERTICAL LOUVERS, MANUAL SUMMER/WINTER SWITCH, 2 STAGE GAS VALVE AND VENT TERMINATION.



SPILLMAN FARMER
a r c h i t e c t s

1720 SPILLMAN DRIVE, SUITE 200, BETHLEHEM, PA 18015-2169
 TELEPHONE 610.665.3261 FAX 610.665.3262 WWW.SPILLMANFARMER.COM SPILLMAN@SPILLMANFARMER.COM

PROJECT - MAINTENANCE BUILDING
 ORTH STREET, BETHLEHEM, PA
 OWNER - TOWNSHIP OF BETHLEHEM
 ORTH STREET, BETHLEHEM, PA

MECHANICAL SCHEDULES & DETAILS

M2.00

PROJECT NO. 7684.1.6
 CAD FILE NO. A1.02 ROOF FLASHING

DATE: 01.19.2017
 REV. - 1/21/2017

NOTES:
 DO NOT SCALE DRAWINGS.
 CONTRACTORS SHALL VERIFY ALL
 DIMENSIONS AND CONDITIONS BEFORE
 INSTALLATION.

COPYRIGHT 2013 SFSFW