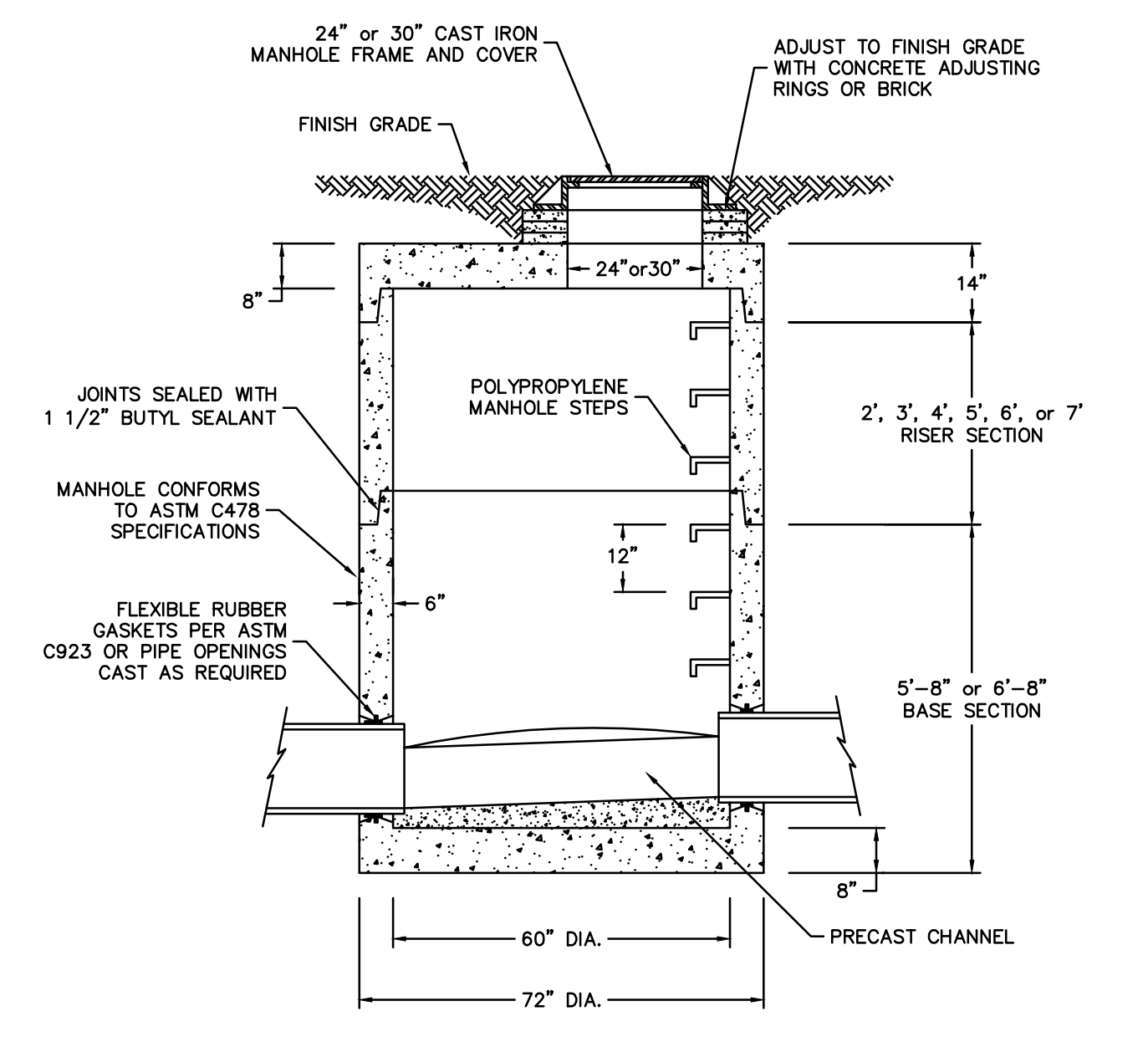
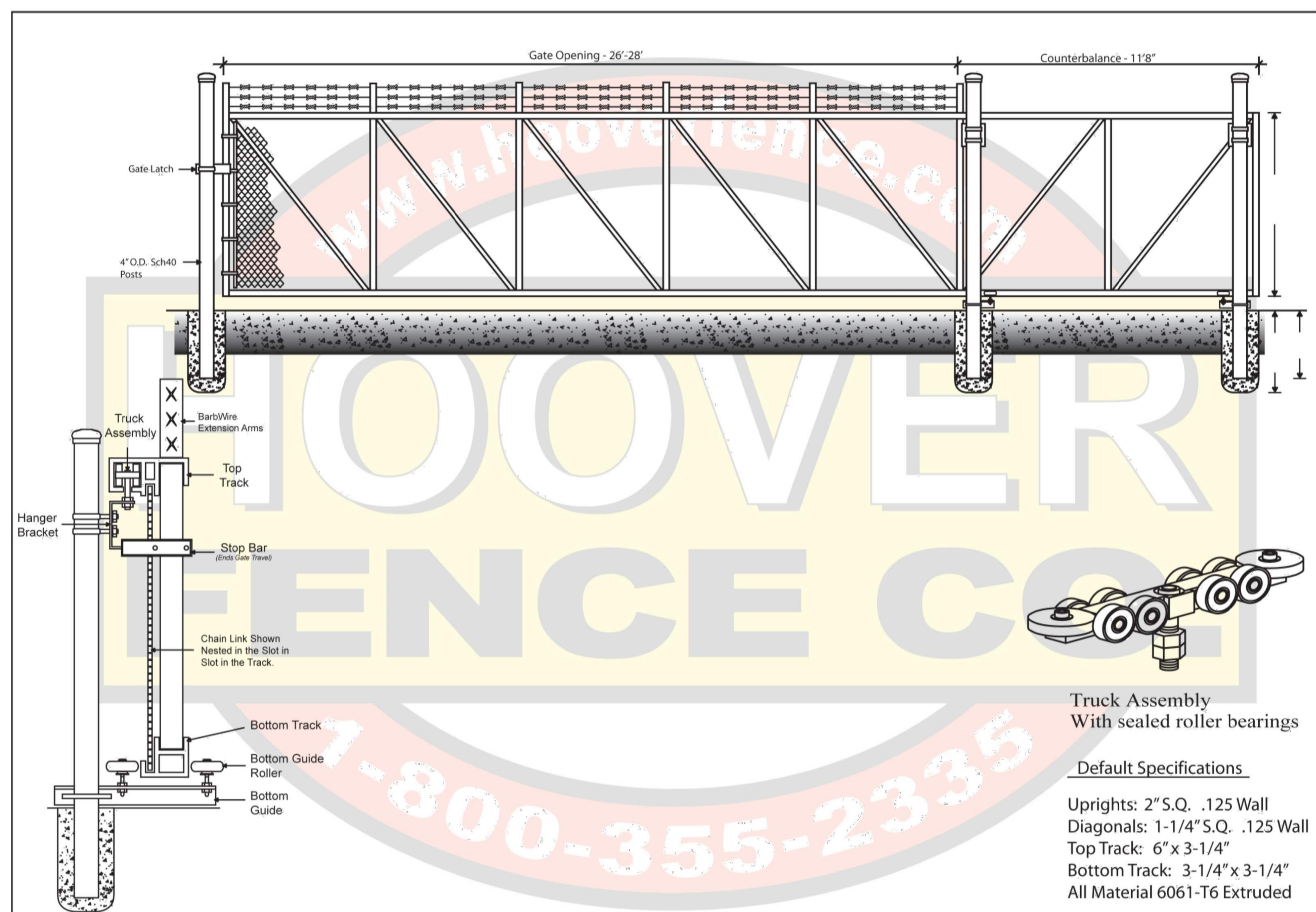
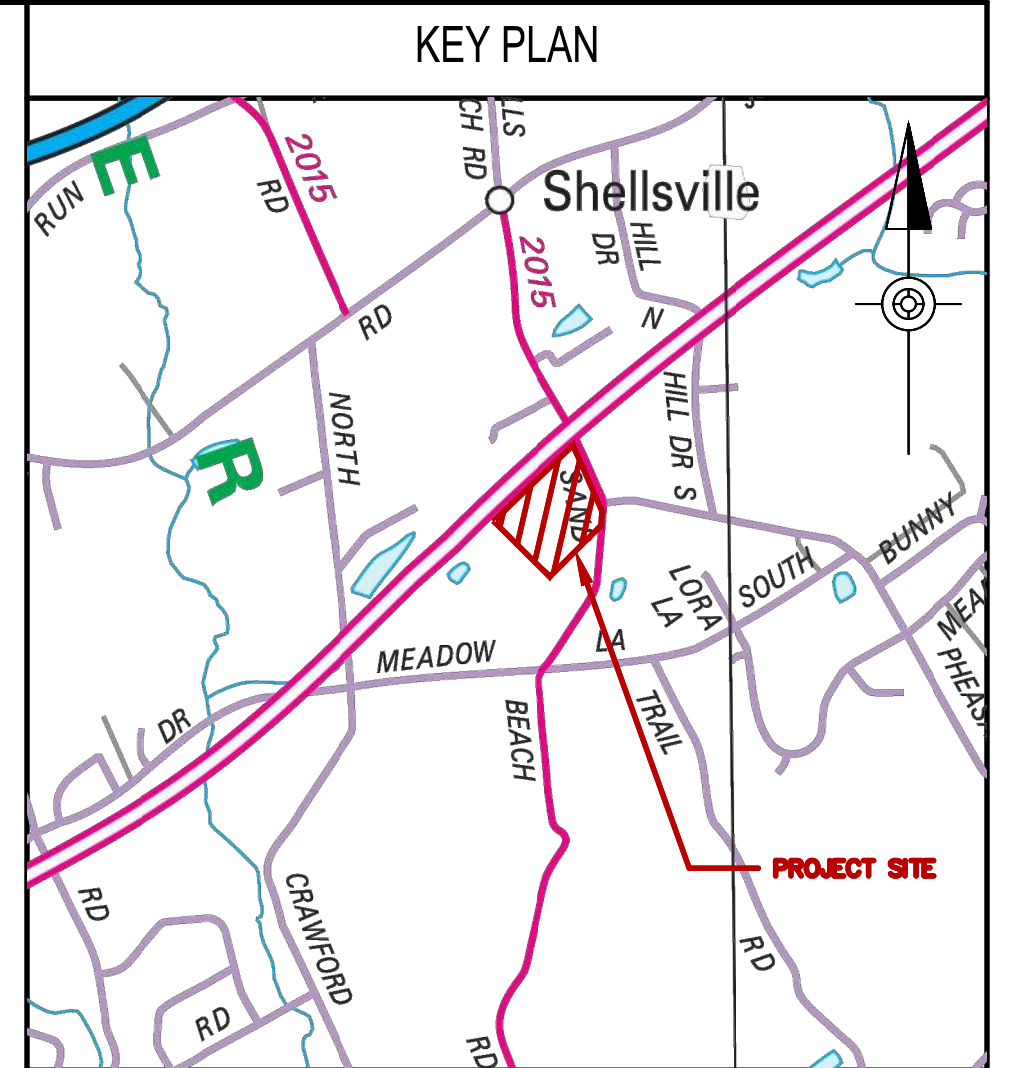


60" DIA. PRECAST MANHOLE WITH CAST-IN-PLACE BASE
NOT TO SCALE



60" DIA. PRECAST MANHOLE WITH FLAT SLAB TOP
NOT TO SCALE



Truck Assembly
With sealed roller bearings

Default Specifications

- Uprights: 2" S.Q. .125 Wall
- Diagonals: 1-1/4" S.Q. .125 Wall
- Top Track: 6" x 3-1/4"
- Bottom Track: 3-1/4" x 3-1/4"
- All Material 6061-T6 Extruded



Project: 26'-28' Aluminum Slide Gate With Barb		
Approved By/Date	Revision NO.	Drawing NO.
Drawn By	Effective Date	

1	PER PENNDOT MEETING DATED 11/8/23	DESCRIPTION
---	-----------------------------------	-------------

RECORD REVISIONS

Professional Engineer Seal for John J. Luciani, State of Pennsylvania, License No. 1508145. Signature: John J. Luciani, Date: 2/23/24.

MIMAR MCKISSICK ARCHITECTS & ENGINEERS
317 N. FRONT STREET
HARRISBURG, PA 17101

COMMONWEALTH OF PENNSYLVANIA
DEPARTMENT OF GENERAL SERVICES
HARRISBURG, PENNSYLVANIA

PROJECT NO. C-0251-0061 Phase 001

PennDOT - DEVELOPMENT OF NEW STOCKPILE
8147 Allentown Blvd
Granville, PA 17028
East Hanover Township, Dauphin County

DETAILS

DRAWN BY: ARB	DATE: 2/23/24	DRAWING NO.:
CHECKED BY:	SCALE: N.T.S.	C-10

* ALL WORK IS TO BE INCLUDED IN BASE BID 1 UNLESS NOTED OTHERWISE

Copyright 2024, Hoover Fence Co., Inc. All rights reserved. This drawing is the property of Hoover Fence Co., Inc. and is not to be reproduced without the written consent of Hoover Fence Co., Inc.