

Panel Name: NH Panel Voltage: 480Y/277V, 3 Phase, 4 Wire Main Lugs Only: Main Breaker: 225 Panel A.I.C. Rating: 14k

Panel Name: CRL Panel Voltage: 208Y/120V, 3 Phase, 4 Wire Main Lugs Only: Main Breaker: 100 Panel A.I.C. Rating: 10k

Panel Name: EQH Panel Voltage: 480Y/277V, 3 Phase, 4 Wire Main Lugs Only: Main Breaker: 600 Panel A.I.C. Rating: 14k

Panel Name: NL1 Panel Voltage: 208Y/120V, 3 Phase, 4 Wire Main Lugs Only: Main Breaker: 225 Panel A.I.C. Rating: 10k

Panel Name: EQMH Panel Voltage: 480Y/277V, 3 Phase, 4 Wire Main Lugs Only: Main Breaker: 400 Panel A.I.C. Rating: 14k

Panel Name: EQL Panel Voltage: 208Y/120V, 3 Phase, 4 Wire Main Lugs Only: Main Breaker: 100 Panel A.I.C. Rating: 10k

Panel Name: NL2 Panel Voltage: 208Y/120V, 3 Phase, 4 Wire Main Lugs Only: Main Breaker: 225 Panel A.I.C. Rating: 10k

Panel Name: EQML Panel Voltage: 208Y/120V, 3 Phase, 4 Wire Main Lugs Only: Main Breaker: 60 Panel A.I.C. Rating: 10k

Panel Name: EQL Panel Voltage: 208Y/120V, 3 Phase, 4 Wire Main Lugs Only: Main Breaker: 100 Panel A.I.C. Rating: 10k

Panel Name: NL3 Panel Voltage: 208Y/120V, 3 Phase, 4 Wire Main Lugs Only: Main Breaker: 225 Panel A.I.C. Rating: 10k

Panel Name: NL3 Panel Voltage: 208Y/120V, 3 Phase, 4 Wire Main Lugs Only: Main Breaker: 60 Panel A.I.C. Rating: 10k

Panel Name: LSL Panel Voltage: 208Y/120V, 3 Phase, 4 Wire Main Lugs Only: Main Breaker: 100 Panel A.I.C. Rating: 10k

three inch = one foot, one and one half inch = one foot, one inch = one foot, three quarter inch = one foot, one half inch = one foot, three eighth inch = one foot, one eighth inch = one foot

PRINTS OF THIS DRAWING SHALL NOT BE USED FOR ANY PURPOSE WHATSOEVER WITHOUT THE SEAL AND SIGNATURE OF THE PROFESSIONAL ENGINEER

CONSULTANT ARRAY architects

Gordon PROGRAMMING AND PLANNING CIVIL ENGINEERING LANDSCAPE ARCHITECTURE SURVEY AND MAPPING SECURITY CONSULTING

ENGINEER OF RECORD Miller-Remick LLC M.E.P. & Structural Engineering A Service Disabled Veteran Owned Small Business

MILLER-REMICK LLC PROFESSIONAL ENGINEER Office of Construction and Facilities Management

Approved: ELECTRICAL SCHEDULES

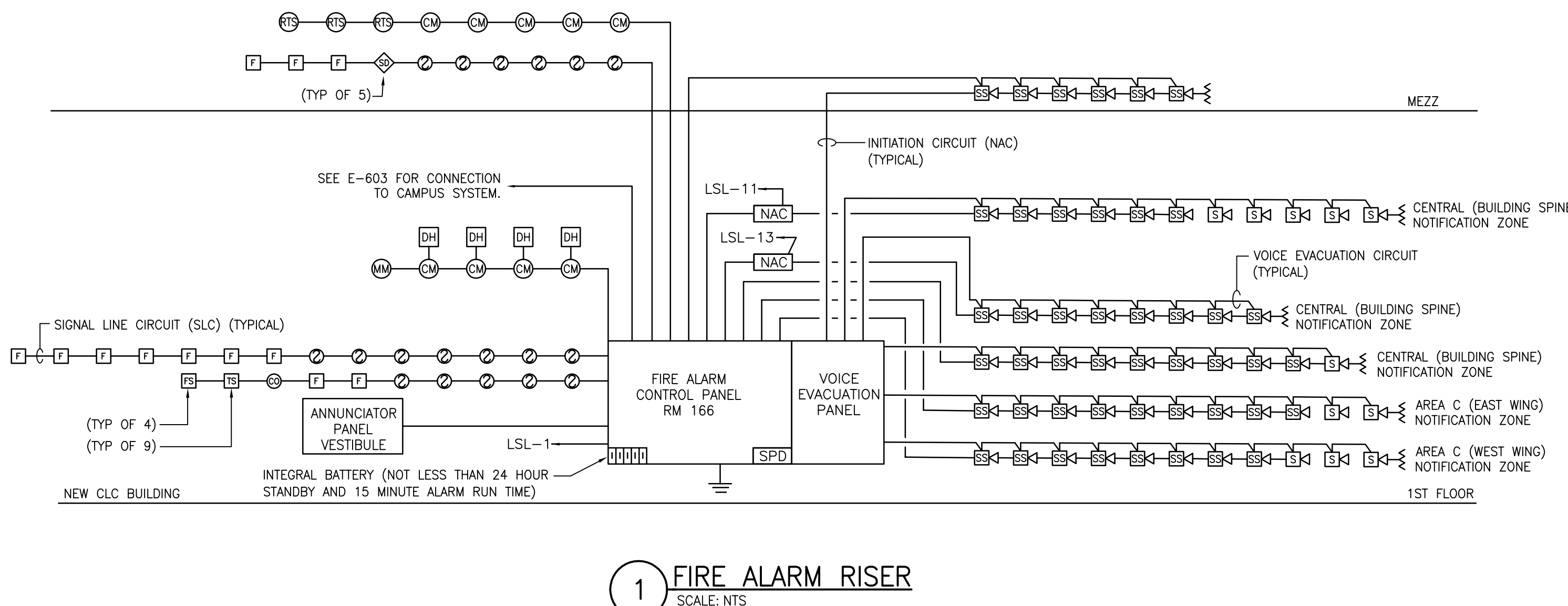
Phase BID DOCUMENTS FULLY SPRINKLERED

Project Title: CONSTRUCT NEW COMMUNITY LIVING CENTER (CLC) Location: LEBANON, PENNSYLVANIA Issue Date: 2023-02-09 Checked: MJR Drawn: MJR Project Number: 595-601 Building Number: CLC-1 Drawing Number: E-701

ELECTRICAL CONNECTION SCHEDULE																
TAG	LOCATION	NOTES	ELECTRICAL CHARACTERISTICS				LOCAL DISCONNECT DEVICE			STARTER			WIRE & CONDUIT	CIRCUITING		
			V/PH/Hz	MCA	MOCP	KW	HP	UNFUSED SWITCH	FUSED SWITCH	MANUAL MOTOR SWITCH	COMBINATION SW	SW I			FUSE	MCP
1-AH-AB (FANS)	CENTRAL MECH RM 210		480/3/60	69.3	90									23	3-#2, 1-#10G IN 3/4" C	EQH-25.27.29
1-AH-AB (AIR CLEANER)	CENTRAL MECH RM 210		480/3/60	4.1	15			X						26	2-#12, 1-#12G IN 3/4" C	EQH-9.11
1-AH-UC (FANS)	WEST MECH RM 220		480/3/60	26.3	45									23	3-#6, 1-#10G IN 3/4" C	EQH-13.15.17
1-AH-UC (AIR CLEANER)	WEST MECH RM 220		480/3/60	2.7	15			X						26	2-#12, 1-#12G IN 3/4" C	EQH-1.3
1-AH-UD (FANS)	EAST MECH RM 230		480/3/60	26.3	45									23	3-#6, 1-#10G IN 3/4" C	EQH-19.21.23
1-AH-UD (AIR CLEANER)	EAST MECH RM 230		480/3/60	2.7	15			X						26	2-#12, 1-#12G IN 3/4" C	EQH-5.7
1-EF-AB	CENTRAL MECH RM 210		120/1/60	17.3	25									26	2-#10, 1-#12G IN 3/4" C	EQL-1
1-EF-C	WEST MECH RM 220		480/3/60	6.0	15									23	3-#12, 1-#12G IN 3/4" C	EQH-31.33.35
1-EF-D	EAST MECH RM 230		480/3/60	6.0	15									23	3-#12, 1-#12G IN 3/4" C	EQH-37.39.41
1-EF-AB1	ATTIC WING C		120/1/60	5.5	15									26	2-#12, 1-#12G IN 3/4" C	EQL-3
1-EF-AB2	GARAGE RM 148		120/1/60	5.5	15			X						26	2-#12, 1-#12G IN 3/4" C	EQL-5
1-EF-1	ATTIC AREA A		480/3/60	1.4	15									23	3-#12, 1-#12G IN 3/4" C	EQH-29.22.24
1-EF-D	ATTIC WING D		120/1/60	9.8	20									26	2-#12, 1-#12G IN 3/4" C	EQL-7
1-EF-D	ATTIC WING D		120/1/60	7.3	15									26	2-#12, 1-#12G IN 3/4" C	EQL-17
1-UH-1	GARAGE RM 148		120/1/60	0.1	20									26	2-#12, 1-#12G IN 3/4" C	NL-2-83
1-UH-2	MED GAS RM 000		120/1/60	0.1	20									26	2-#12, 1-#12G IN 3/4" C	NL-2-82
1-AC-146	IT RM 146		208/1/60	20.0	30									26	2-#10, 1-#10G IN 3/4" C	EQL-12.14
1-P-1A	MECH & PLUMB RM 147		480/3/60	3.8	15									23	3-#12, 1-#12G IN 3/4" C	EQH-43.45.47
1-P-1B	MECH & PLUMB RM 147		480/3/60	3.8	15									23	3-#12, 1-#12G IN 3/4" C	EQH-49.51.53
1-P-1C	MECH & PLUMB RM 147		480/3/60	3.8	15									23	3-#12, 1-#12G IN 3/4" C	EQH-55.57.59
1-P-2A	MED GAS RM 000		480/3/60	13.8	20									23	3-#12, 1-#12G IN 3/4" C	EQH-61.63.65
1-P-2B	MED GAS RM 000		480/3/60	13.8	20									23	3-#12, 1-#12G IN 3/4" C	EQH-44.46.48
1-P-2C	MED GAS RM 000		480/3/60	13.8	20									23	3-#12, 1-#12G IN 3/4" C	EQH-50.52.54
1-P-AB	CENTRAL MECH RM 210		120/1/60	1.0	20			X						26	2-#12, 1-#12G IN 3/4" C	EQL-15
1-P-C	WEST MECH RM 220		120/1/60	1.0	20			X						26	2-#12, 1-#12G IN 3/4" C	EQL-19
1-P-D	EAST MECH RM 230		120/1/60	1.0	20			X						26	2-#12, 1-#12G IN 3/4" C	EQL-21
1-CP-146	IT RM 146		120/1/60	1.0	15			X						26	2-#12, 1-#12G IN 3/4" C	EQL-18
1-ACCH-1	CHILLER YARD	1	480/3/60	119.0	125									23	4-#1, 1-#6G IN 2" C	EQMH-7.9.11
1-ACCH-2	CHILLER YARD	1	480/3/60	119.0	125									23	4-#1, 1-#6G IN 2" C	EQMH-13.15.17
1-ACCH-3	CHILLER YARD	1	480/3/60	119.0	125									23	4-#1, 1-#6G IN 2" C	EQMH-19.21.23
1-B-1	MECH & PLUMB RM 147		120/1/60	13.0	20			X						26	2-#12, 1-#12G IN 3/4" C	EQL-9
1-B-2	MECH & PLUMB RM 147		120/1/60	13.0	20			X						26	2-#12, 1-#12G IN 3/4" C	EQL-11
1-B-3	MECH & PLUMB RM 147		120/1/60	13.0	20			X						26	2-#12, 1-#12G IN 3/4" C	EQL-13
1-SH-AB	CENTRAL MECH RM 210		120/1/60	12.0	20			X						26	2-#12, 1-#12G IN 3/4" C	EQL-15
1-SH-C	WEST MECH RM 220		120/1/60	12.0	20			X						26	2-#12, 1-#12G IN 3/4" C	EQL-19
1-SH-D	EAST MECH RM 230		120/1/60	12.0	20			X						26	2-#12, 1-#12G IN 3/4" C	EQL-21
1-DHP-1	MECH & PLUMB RM 147		120/1/60	3.0	15									22	2-#12, 1-#12G IN 3/4" C	EQL-2
1-DHP-2	MECH & PLUMB RM 147		120/1/60	3.0	15									22	2-#12, 1-#12G IN 3/4" C	EQL-4
1-DHP-1	MECH & PLUMB RM 147		120/1/60	3.0	15									22	2-#12, 1-#12G IN 3/4" C	EQL-6
1-DHP-2	MECH & PLUMB RM 147		120/1/60	3.0	15									22	2-#12, 1-#12G IN 3/4" C	EQL-8
1-DWH-1	MECH & PLUMB RM 147		120/1/60	1.0	15			X						26	2-#12, 1-#12G IN 3/4" C	EQL-10
1-DWH-2	MECH & PLUMB RM 147		120/1/60	1.0	15			X						26	2-#12, 1-#12G IN 3/4" C	EQL-10
1-MAC-1	MED GAS 161		480/3/60	24.8	40									26	3-#6, 1-#10G IN 3/4" C	EQH-67.69.71
1-MVP-1	MED GAS 161		480/3/60	7.7	15									26	3-#12, 1-#12G IN 3/4" C	EQH-68.70.72
1-WT-1	CENTRAL MECH RM 210		120/1/60	10.0	20			X						26	2-#12, 1-#12G IN 3/4" C	EQL-16
1-GLY-1	MED GAS 161		120/1/60	7.2	15									26	2-#12, 1-#12G IN 3/4" C	EQL-22

SCHEDULE NOTES:
 1. CHILLERS ARE N + 1 AND ONLY A MAXIMUM OF TWO WILL OPERATE AT A GIVEN TIME.
 2. ELECTRICAL CONTRACTOR SHALL PROVIDE #10 + #10 GND IN 3/4" C FROM OUTDOOR UNIT TO INDOOR UNIT AND MANUAL MOTOR SWITCH AT INDOOR UNIT.

LIGHTING FIXTURE SCHEDULE													
TYPE	DIMENSIONS	DESCRIPTION	MANUFACTURER	CATALOG NUMBER	QTY	SOURCE	TYPE	DRIVER	WATTAGE	VOLTS	MOUNTING	REMARKS	
A		FIREPLACE PICTURE LIGHT	WAC LIGHTING	FL-11925-BR	1	LED			17	120	WALL MOUNTED		
B1	2'x2'	DIRECT/INDIRECT HIGH EFFICIENT WHITE TROFFER, FLAT CENTER, ANGLED DIFFUSE LOW GLARE SIDE LENS, 35K, 2500 LUMENS	COOPER - METALUX	22EN-LD2-25-UNV-1835-CD-1-U	1	LED			20	120	RECESSED		
C1	12" TALL	SCONCE FIXTURE WITH WHITE GLASS AND SATIN FINISH, 908 LUMENS, 3000K	TECH LIGHTING	700BCM13 13 S LED930	1	LED			13	120	SURFACE		
D1	6"	SELF-FLANGED ROUND DOWNLIGHT WITH WHITE TRIM AND DRIVER ACCESSIBLE FROM ABOVE OR BELOW CEILING, 1500 LUMENS, SOLID STATE LED 35K, 50,000 HOURS, 0-10V DIMMING DRIVER	GOTHAM	EV06 3515 WR MD LS MVOLT G210	1	LED			15.5	120	RECESSED		
D2	6"	SELF-FLANGED SQUARE DOWNLIGHT WITH WHITE TRIM AND DRIVER ACCESSIBLE FROM ABOVE OR BELOW CEILING, 1500 LUMENS, SOLID STATE LED 35K, 50,000 HOURS, 0-10V DIMMING DRIVER	GOTHAM	LDWQ68 15 DE010 EUB8 1020 90 35 6LB 80 1 MW	1	LED			15.5	120	RECESSED		
D3	6"	LED SHOWER LIGHT WITH RUST-PROOF ALUMINUM HOUSING, WET LOCATION LISTED, 1500 LUMEN, 35K LED LIGHT ENGINE	GOTHAM	EV06 3515 WR MD LS MVOLT G210	1	LED			15.5	120	RECESSED	UL LISTED WET LOCATION INCLUDE SHOWER LENS OPTION	
D4	6"	SELF-FLANGED ROUND DOWNLIGHT WITH WHITE TRIM AND FROSTED LENS, DRIVER ACCESSIBLE FROM ABOVE OR BELOW CEILING, 1500 LUMENS, SOLID STATE LED 35K, 50,000 HOURS, 0-10V DIMMING DRIVER	GOTHAM	EV06 3515 WR MD LS MVOLT G210	1	LED			15.5	120	RECESSED	INCLUDE HEALTHCARE SERIES PATENT ROOM LENS	
D5	6"	SELF-FLANGED ROUND DOWNLIGHT WITH WHITE TRIM AND FROSTED LENS, 1000 LUMENS, SOLID STATE LED 35K, 50,000 HOURS, 0-10V DIMMING DRIVER	GOTHAM	EV06 3515 WR MD LS MVOLT G210	1	LED			10.1	120	RECESSED	INCLUDE EXTERIOR GRADE LENS UL LISTED FOR WET LOCATION	
F1		INTERIOR SCONCE WITH GOOSENECK AND POLISHED NICKEL FINISH	ELSTED LIGHTING	EL-PV1 PN	1	LED SCREW-IN BULB, A19 BASE			13	120	SURFACE		
F2	16" TALL	EXTERIOR SCONCE WITH CLEAR CRACKLE GLASS AND BLACK FINISH	PARK HARBOR LIGHTING	PHEL4101BK	1	LED			11	120	SURFACE		
F4	13"	PATIENT BATHROOM INTERIOR SCONCE WITH SATIN NICKEL FINISH AND FROSTED RECTILINEAR ACRYLIC SHADE, 3000K LED MODULE WITH 906 LUMENS DELIVERED	TECH LIGHTING	700BCM13 13 S LED930	1	LED			13	120	SURFACE		
G1		POLE LIGHTING FIXTURE WITH STANDARD CUTOFF, BRONZE FINISH, 4000K LED TEMPERATURE AND INTEGRAL PHOTOCELL	RAB LIGHTING	ALED-80-N-PC82	1	LED			104	277	MOUNTED TO SITE POLE BASE	REFER TO DETAIL 4E-502 FOR POLE BASE DETAIL. POLE HEIGHT SHALL MATCH EXISTING LIGHT POLES ON CAMPUS, MINIMUM 12'-0" AND SHALL BE 6"x6" SQUARE ALUMINUM TYPE.	
J1		LOW PROFILE EXTRUDED ALUMINUM COVE FIXTURE, LEDS SHALL BE 35K	MARK ARCHITECTURAL LIGHTING	MOV502 LLP (LENGTH) MSL4 M500FMC 90CR TJWH LARV 900LIM 120X120DEG DARK MVOLT WTP DMX MFC110TL	1	LED			6.3FT	120	SURFACE	REFER TO ARCHITECTURAL AND ELECTRICAL DRAWINGS FOR LENGTH.	
K1	48" WIDE	WHITE STEEL UPLIGHTING ONLY FIXTURE WITH FROSTED ACRYLIC LENS, 5495 LUMENS, 35K	BROWNLEE LIGHTING	15750-WH-H83-35K	1	LED			63	120	SURFACE	REFER TO ARCHITECTURAL DRAWINGS FOR MOUNTING ELEVATIONS	
L1	1/2" WIDE	LOW PROFILE LED CHANNEL FIXTURE WITH LENS, 35K, 330 LUMENS	FRY REGLET	LED-MVU505	1	LED			1	120	RECESSED IN CHANNEL	REFER TO ARCHITECTURAL AND ELECTRICAL DRAWINGS FOR LENGTH.	
N1	8.58" WIDE X 5 7/8" HIGH	SINGLE FACE STEP LIGHT WITH METAL HOUSING AND SPRING HELD WHITE LOUVER FACEPLATE	NEW STAR LIGHTING	SNL-HLA-277-V-M-POLY LENSE	1	LED			1	120	RECESSED	FACEPLATE SHALL BE SHATTER-RESISTANT WHITE ACRYLIC	
P1		INTERIOR PENDANT FIXTURE WITH POLISHED NICKEL FINISH	ELSTED LIGHTING	EL-PV8 PN	1	LED SCREW-IN BULB, A19 BASE			13	120	SURFACE		
P2	48" DIAMETER	CIRCULAR DINING ROOM PENDANT FIXTURE WITH SATIN NICKEL FINISH	TECH LIGHTING	700B00 48 S LED930	1	LED			1	120	SURFACE MOUNTED		
P3		LED CYLINDER FIXTURE WITH POLISHED NICKEL FINISH, FIXTURE INCLUDES DUAL REFLECTOR OPTICAL SYSTEM, 45 DEGREE CUTOFF, TWO PART HEAVY GAUGE ALUMINUM HOUSING, 48 DEGREE BEAM DISTRIBUTION AND 4000 LUMEN LED SOURCE, 0-10V DIMMING	PATHWAY LIGHTING	C69PLB404KM-D-6-VLBS-CLPF-SA-A2	1	LED			58	120	PENDANT MOUNTED	BOTTOM OF FIXTURE SHALL HANG AT THE ELEVATION OF THE BOTTOM OF THE BEAMS.	
S1	4'-0"	INDUSTRIAL STRIP WITH 10% UPLIGHT	LITHONIA	CSS L48 3000LM MVOLT-35K 80CRI HC36	1	LED			27.2	120	CHAIN SUSPENDED	PROVIDE WIRE GUARD CAGE.	
S2	4'-0"	SURFACE MOUNTED STRIP FIXTURE WITH ACRYLIC LENS	LITHONIA	FEM L48 4000LM IM4FL MD MVOLT G210 35K 80CRI	1	LED			35.3	120	CHAIN SUSPENDED	PROVIDE WIRE GUARD CAGE.	
U1	3/4" WIDE	LOW VOLTAGE CONTINUOUS LED LENSED LUMINAIRE, 3/4" WIDE X 3/4" DEEP EXTRUDED ALUMINUM HOUSING, PROVIDE CONTINUOUS LENGTHS AS INDICATED ON ARCHITECTURAL DRAWINGS, PROVIDE FIXTURE WITH SILVER PAINT FINISH, FROSTED WHITE ACRYLIC LENS, FIXED MOUNTING BRACKETS WITH SNAP-IN HOUSING CONNECTION, REMOTE 0-10V DIMMABLE LED POWER SUPPLY CAPABLE OF DIMMING TO 10% LIGHT OUTPUT. PROVIDE QUANTITY AND SIZE OF REMOTE POWER SUPPLIES FOR ALL INSTALLATIONS. POWER SUPPLIES TO BE LOCATED IN DISCREET BUT ACCESSIBLE LOCATIONS. CONTRACTOR SHALL SIZE SECONDARY WIRING AS APPROPRIATE TO LIMIT VOLTAGE DROP. LUMINAIRE ASSEMBLY SHALL BE PRE-ASSEMBLED BY LIGHTING MANUFACTURER. CONTRACTOR SHALL PROVIDE ALL NECESSARY LENGTHS, FEEDS, CONNECTORS, SUPPORTS, AND OTHER COMPONENTS FOR A COMPLETE AND CODE COMPLIANT INSTALLATION. LED REQUIREMENTS: NOMINAL 170 INITIAL DELIVERED LUMENS PER FOOT, 3500K CCT, 80+ CRI, 50,000 HOUR LIFESPAN AND A 5 YEAR WARRANTY.	LUMINI	FIXTURE: KM-LENGTH-35K-HO-F-SA-120V	1	LED			5.2FOOT	120	SURFACE	REFER TO ARCHITECTURAL DRAWINGS FOR MOUNTING DETAILS.	
W	5" HIGH x 11" WIDE	WALL MOUNTED LED LUMINAIRE WITH DIE-CAST ALUMINUM HOUSING AND INTEGRAL PHOTOELECTRIC SENSOR	LITHONIA	ARC1 LED P3 40K MVOLT PE DDBXD	1	LED			25	120	SURFACE	MOUNT AT 7'-0" AFF	
X	N/A	VA STANDARD EXT SIGN, EDGE LIT, RED LED ON MIRROR	COOPER - SURE-LITES	ELUX-R-WH	1	LED			1.5	120	SURFACE	SEE PLANS FOR MOUNTING AND DIRECTIONAL ARROW REQUIREMENTS	



1 FIRE ALARM RISER
SCALE: NTS

||
||
||