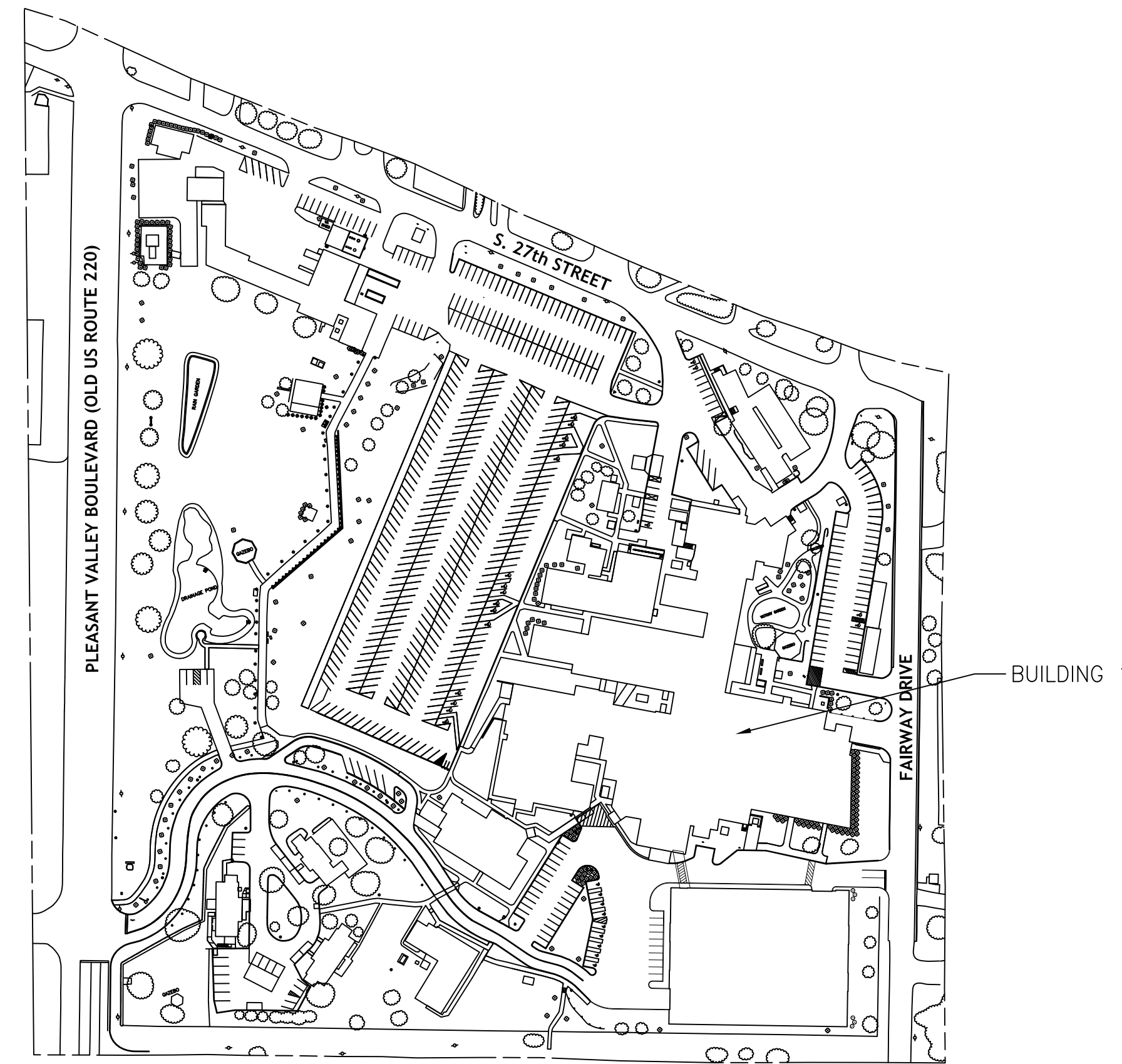
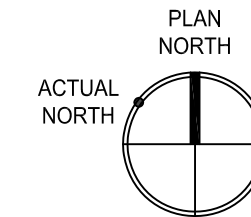


# REPAIR BRICK, MORTAR AND ROOF BUILDING 1

DEPARTMENT OF VETERANS AFFAIRS PROJECT NO. 503-24-105  
 JAMES E. VAN ZANDT VA MEDICAL CENTER  
 BUILDING 1  
 2907 PLEASANT VALLEY BOULEVARD.  
 ALTOONA, PA 16602



BUILDING KEY PLAN  
 SCALE: NTS



## DRAWING INDEX

- GI001- COVER SHEET
- AS100- OVERVIEW
- AD102- ROOF DEMO PLAN
- AE102- ROOF PLAN
- AE203- MASONRY PLAN
- AE504- CONSTRUCTION DETAILS

Revisions:	Date:	CONSULTANT	ARCHITECT/ENGINEER OF RECORD	STAMP	Office of Construction and Facilities Management	Drawing Title OVERVIEW	Phase CONSTRUCTION DOC.	Project Title REPAIR BRICK, MORTAR, AND ROOF BLDG 1	Project Number 503-24-105
					VA U.S. Department of Veterans Affairs	Approved: Project Director		Location JAMES E VAN ZANDT MC	Building Number 01
								Issue Date 10/17/2024	Checked GC
								Drawn MD	Drawing Number GI001



### PROJECT CODE SUMMARY

**PROJECT SUMMARY:**  
 THE PROJECT CONSISTS OF INVESTIGATION AND REPAIR SOLUTION TO MASONRY & MORTAR ISSUES RELATED TO THE EXTERIOR WALLS ON BUILDING 1 ALONG WITH ROOF REPLACEMENT ON BUILDING 1

**SITE PLAN NOTE:**  
 CONTRACTOR SHALL COORDINATE SIZE AND LOCATION OF STAGING AREA FOR MATERIAL STORAGE AND TRAILER WITH COR PRIOR TO COMMENCING ANY WORK.

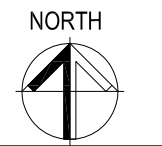
**APPLICABLE CODES**

2015 INTERNATIONAL BUILDING CODE (IBC)  
 2015 INTERNATIONAL FIRE CODE (IFC)  
 2015 INTERNATIONAL FUEL GAS CODE (IFGC)  
 2015 INTERNATIONAL MECHANICAL CODE (IMC)  
 2015 INTERNATIONAL PLUMBING CODE (IPC)  
 2014 NATIONAL ELECTRICAL CODE (NEC)  
 2015 INTERNATIONAL EXISTING BUILDING CODE (IEBC)  
 NFPA 99 - HEALTHCARE FACILITIES  
 NFPA 101 - LIFE SAFETY CODE  
 NFPA 220 - STANDARD ON TYPES OF BUILDING CONSTRUCTION

### LEGEND

	SCOPE OF PROJECT		PARTITION TAG
	ALIGNED SURFACES		
	AREA TAG		
	ROOM TAG		BUILDING SECTION
	CEILING TAG		SECTION
	DOOR TAG		DETAIL CALLOUT
	WINDOW TYPE TAG		KEYNOTE
	DATA POINT		REVISION
	SLOPE INDICATOR		
	CENTERLINE		
	NORTH ARROW		
	COLUMN GRID LINE		
	ELEVATION		

**F1 SITE PLAN**  
 1" = 20'-0"



Revisions:	Date:

CONSULTANT	ARCHITECT/ENGINEER OF RECORD	STAMP

Office of Construction and Facilities Management  
 U.S. Department of Veterans Affairs

Drawing Title: **OVERVIEW**

Approved: Project Director

Phase: <b>CONSTRUCTION DOC.</b>	Project Title: <b>REPAIR BRICK, MORTAR, AND ROOF BLDG 1</b>	Project Number: <b>503-24-105</b>
Location: <b>JAMES E VAN ZANDT MC</b>	Building Number: <b>01</b>	Drawing Number: <b>AS100</b>
Issue Date: <b>10/17/2024</b>	Checked: <b>GC</b>	Drawn: <b>AMH</b>

**SHEET NOTES**

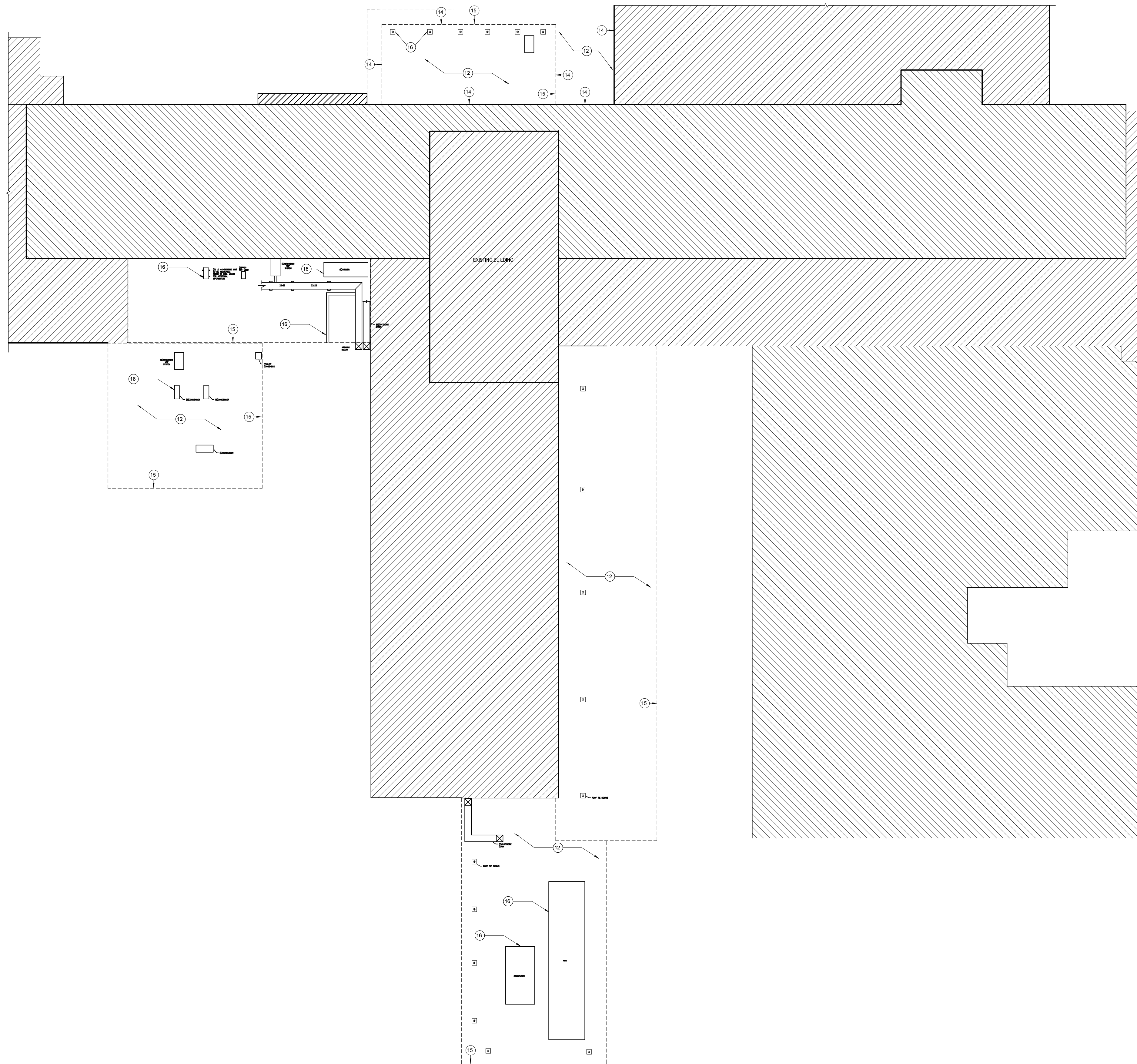
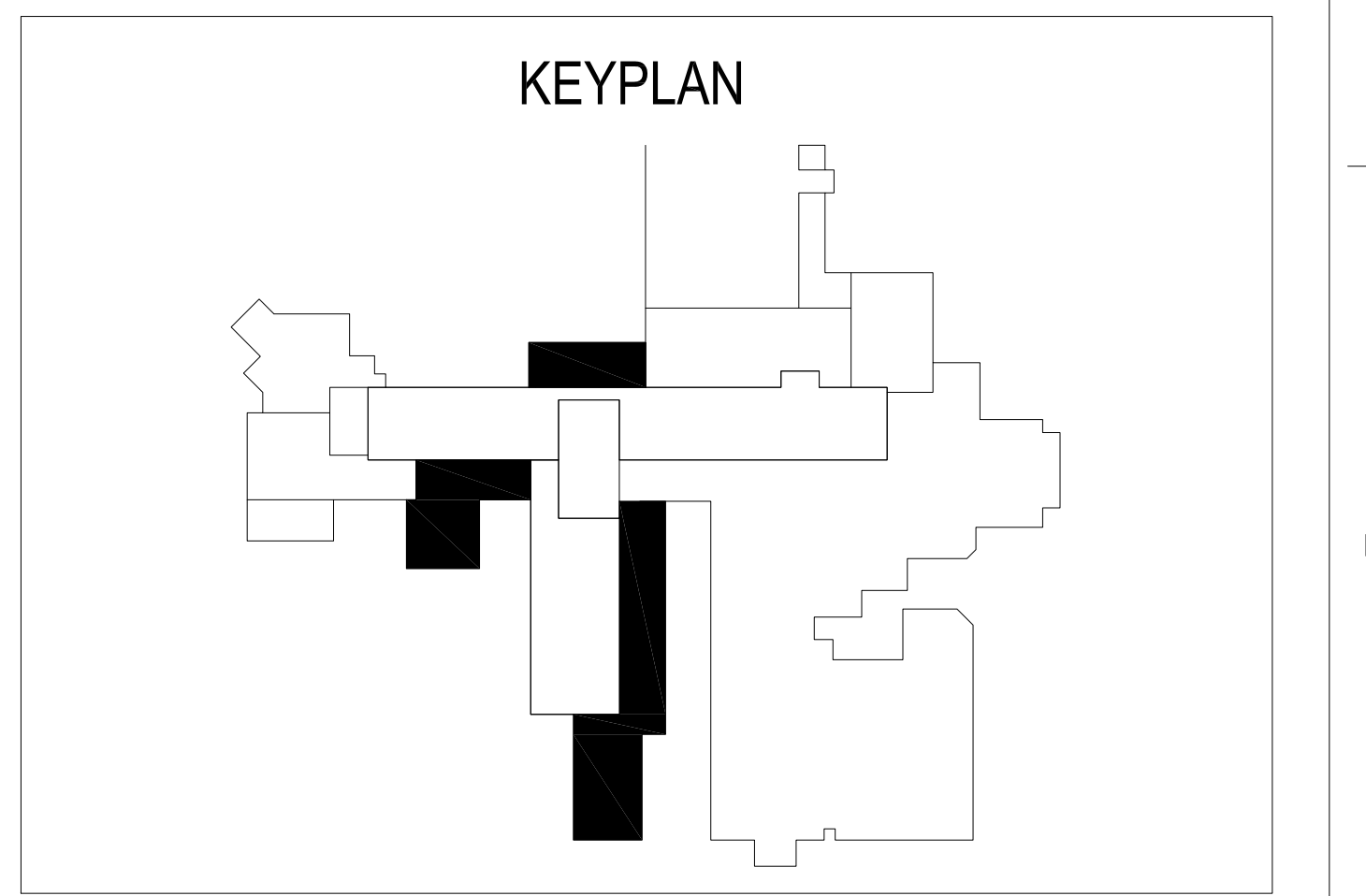
1. THE CONTRACTOR SHALL PROVIDE PROTECTION FOR ALL THE GENERAL PUBLIC AND CONSTRUCTION WORKERS IN AND AROUND THE CONSTRUCTION SITE. ADEQUATE BARRIERS SHALL BE PROVIDED TO EXERCISE CONTROL OF SAFE EGRESS AND EGRESS OF PREMISE. FIRE EXITS SHALL AT NO TIME BE BLOCKED.
2. MINOR DETAILS NOT USUALLY SHOWN OR SPECIFIED BUT NECESSARY FOR PROPER CONSTRUCTION OF ANY PART OF THE WORK SHALL BE INCLUDED AS IF THEY WERE INDICATED ON THE DRAWINGS.
3. THE CONTRACTOR SHALL BE RESPONSIBLE FOR MAINTAINING WATERTIGHT INTEGRITY OF THE BUILDING AT ALL TIMES. ALL WATER DAMAGE SHALL BE REPAIRED AT NO ADDITIONAL COST AND TO THE SATISFACTION OF THE GOVERNMENT.
4. THE CONSTRUCTION AREA SHALL BE THOROUGHLY CLEANED.
5. ALL WORK TO BE PERFORMED OFF SCAFFOLD SUPPLIED BY THE CONTRACTOR WITH A CERTIFIED SCAFFOLD ERECTORS LICENSE, INSURANCE AND OSHA APPROVED TRAINING. PROOF OF THESE REQUIREMENTS WILL BE REQUIRED PRIOR TO ANY WORK. CONTRACTOR IS TO VERIFY THE WEIGHT LIMITS OF THE EXISTING ROOFING WITH A STRUCTURAL ENGINEER. ENGINEER, REPORTS WILL BE REQUIRED PRIOR TO INSTALLING ANY SCAFFOLD ON ANY ROOFS. THE VA WILL SUPPLY STRUCTURAL DRAWINGS TO THE CONTRACTOR. THE CONTRACTOR IS TO FOLLOW ALL FEDERAL, STATE, LOCAL AND VA GUIDELINES AND STANDARDS.
6. ALL OSHA REGULATION ARE TO BE FOLLOWED BY ALL CONTRACTING PERSONNEL. PRIME CONTRACTOR (ON SITE PERSONNEL) TO HAVE 30 HOUR OSHA SAFETY TRAINING AND A 10 HOUR OSHA SAFETY CERTIFICATE.
7. REFER TO OTHER CONTRACT DOCUMENTS FOR DEMOLITION REQUIREMENTS
8. CONTRACTOR SHALL VERIFY ALL DIMENSIONS AND EXISTING CONDITIONS AT THE JOB SITE AND SHALL REPORT, ANY DISCREPANCIES TO THE GOVERNMENT PRIOR TO STARTING CONSTRUCTION. BEFORE COMMENCEMENT OF WORK, THE CONTRACTOR SHALL NOTIFY HIS ARCHITECT IMMEDIATELY FOR REVIEW SHOULD ANY DISCREPANCIES WHICH SIGNIFICANTLY AFFECT THE DEMOLITION OR NEW CONSTRUCTION WORK OCCUR.
9. THE DEMOLITION PLANS ARE DERIVED FROM EXISTING BUILDING PLANS AND ARE INTENDED TO REASONABLY REPRESENT EXISTING AND CURRENT CONDITIONS. ALL DIMENSIONS AND INFORMATION IN THESE DRAWINGS ARE BASED, IN PART, ON THAT FACT. ACTUAL CONDITIONS MAY VARY FROM THAT SHOWN. NOTIFY THE ARCHITECT IMMEDIATELY FOR REVIEW SHOULD ANY DISCREPANCIES WHICH SIGNIFICANTLY AFFECT THE DEMOLITION OR NEW CONSTRUCTION WORK OCCUR.
10. PROTECT EXISTING CONSTRUCTION, SURFACES AND MATERIALS INDICATED TO REMAIN FROM DAMAGE OR DETERIORATION DUE TO PERFORMANCE OF WORK. PATCH AND REPAIR EXISTING MATERIALS AND SURFACES DAMAGED BY PERFORMANCE OF THE WORK.
11. IF MATERIALS ARE ENCOUNTERED THAT MAYBE HAZARDOUS OR MAY CONTAIN HAZARDOUS COMPONENTS, CEASE WORK IMMEDIATELY, PREVENT FURTHER DISTURBANCE, SECURE THE AREA AND NOTIFY THE COR.
12. DO NOT CUT STRUCTURAL COMPONENTS UNLESS INDICATED OTHERWISE.
13. COORDINATE REMOVAL OF DEMOLISHED MATERIALS WITH COR. PREVENT DUST AND DEBRIS FROM INFILTRATING OCCUPIED AREAS. PROVIDE ENCLOSED CHUTES AND NEGATIVE AIR PRESSURE AS REQUIRED. DISPOSE OF DEMOLISHED MATERIALS IN LAWFUL MANNER, OFF SITE.
14. COORDINATE SCHEDULE WITH COR PRIOR TO COMMENCING DEMOLITION WORK THAT MAY INTERRUPT SERVICES. SCHEDULE WORK AND PROVIDE TEMPORARY CONNECTIONS OR NEW SERVICES AS NECESSARY TO ELIMINATE DISRUPTIONS AFFECTING THE OWNER'S OPERATIONS.

**KEYNOTES**

#	NOTE
12	DEMOLISH EXISTING BALLAST MEMBRANE ROOFING AND INSULATION TO CONCRETE DECK; PREPARE SUBSTRATE TO RECEIVE NEW FINISH
13	DEMOLISH EXISTING SHEET METAL WALL COPING; PREPARE SUBSTRATE TO RECEIVE NEW FINISH
14	DEMOLISH EXISTING WALL FLASHING; PREPARE SUBSTRATE TO RECEIVE NEW FINISH
15	SALVAGE LIGHTNING PROTECTION SYSTEM. REINSTALL AND RECONNECT FOLLOWING INSTALLATION OF NEW ROOFING
16	DEMOLISH EXISTING FLASHING AT ROOF PENETRATIONS; PREPARE SUBSTRATE TO RECEIVE NEW ROOFING

**LEGEND**

- EXISTING CONSTRUCTION TO BE DEMOLISHED
- ////// EXISTING CONSTRUCTION NOT IN SCOPE



**1 PARTIAL ROOF PLAN**  
1/16" = 1'-0"

Revisions:	Date:

CONSULTANT	ARCHITECT/ENGINEER OF RECORD	STAMP

Office of Construction and Facilities Management	Drawing Title <b>ROOF DEMO PLAN</b>
U.S. Department of Veterans Affairs	Approved: Project Director

Phase <b>CONSTRUCTION DOC.</b>
-----------------------------------

Project Title <b>REPAIR BRICK, MORTAR, AND ROOF BLDG 1</b>	Project Number <b>503-24-105</b>
Location <b>JAMES E VAN ZANDT MC</b>	Building Number <b>01</b>
Issue Date <b>10/17/2024</b>	Checked <b>GC</b>
Drawn <b>AMH</b>	Drawing Number <b>AD102</b>

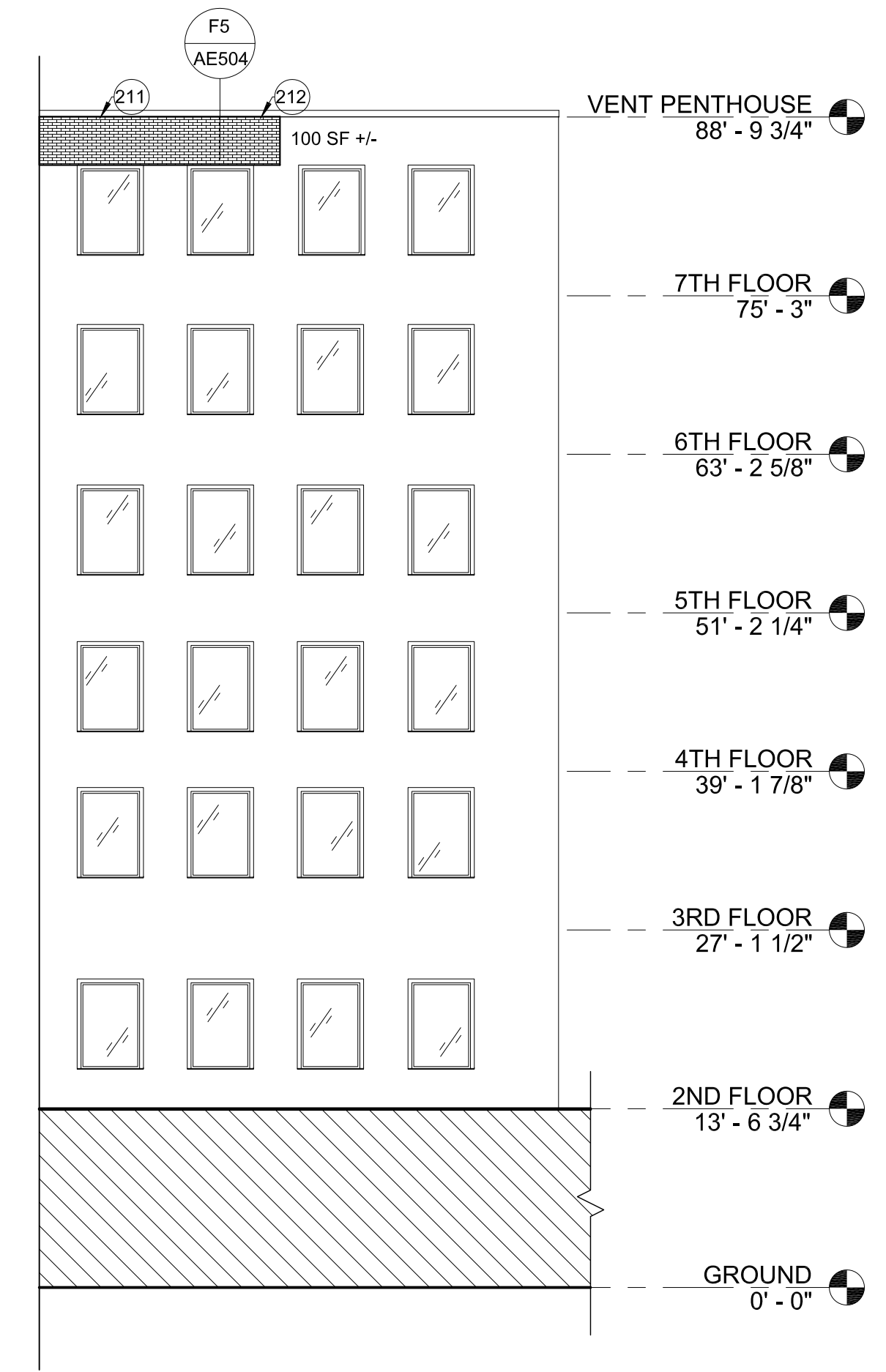


SHEET NOTES

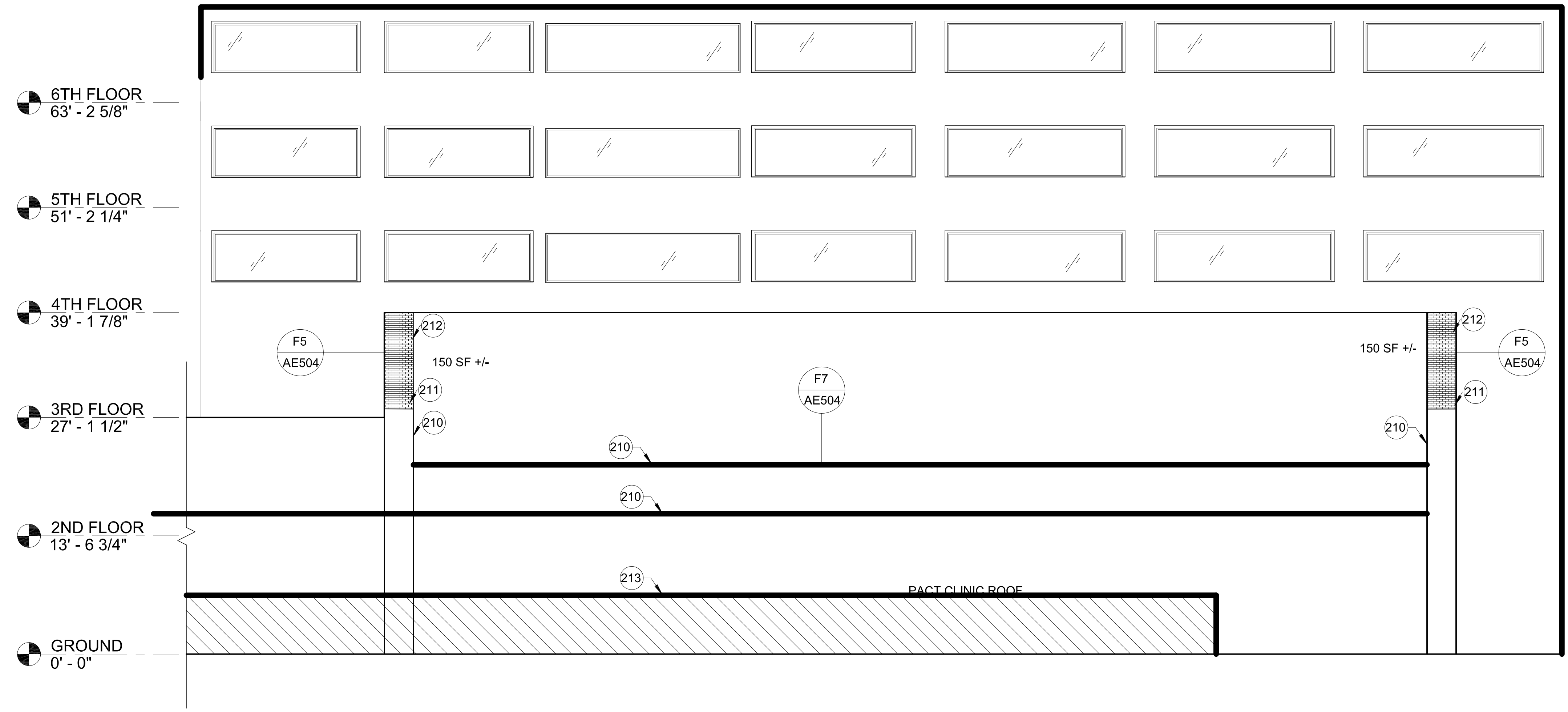
KEYNOTES

#	NOTE
210	CONSTRUCTION JOINT REPAIR; REF. DETAILS
211	REPOINT EXISTING MASONRY FACADE; REF. DETAILS
212	REPLACE CRACKED FACE BRICK; REF. DETAILS
213	1ST FLOOR ROOF. 1 1/2" 20 GA. GALVANIZED METAL ROOF DECK WITH INSULATION AND ROOFING

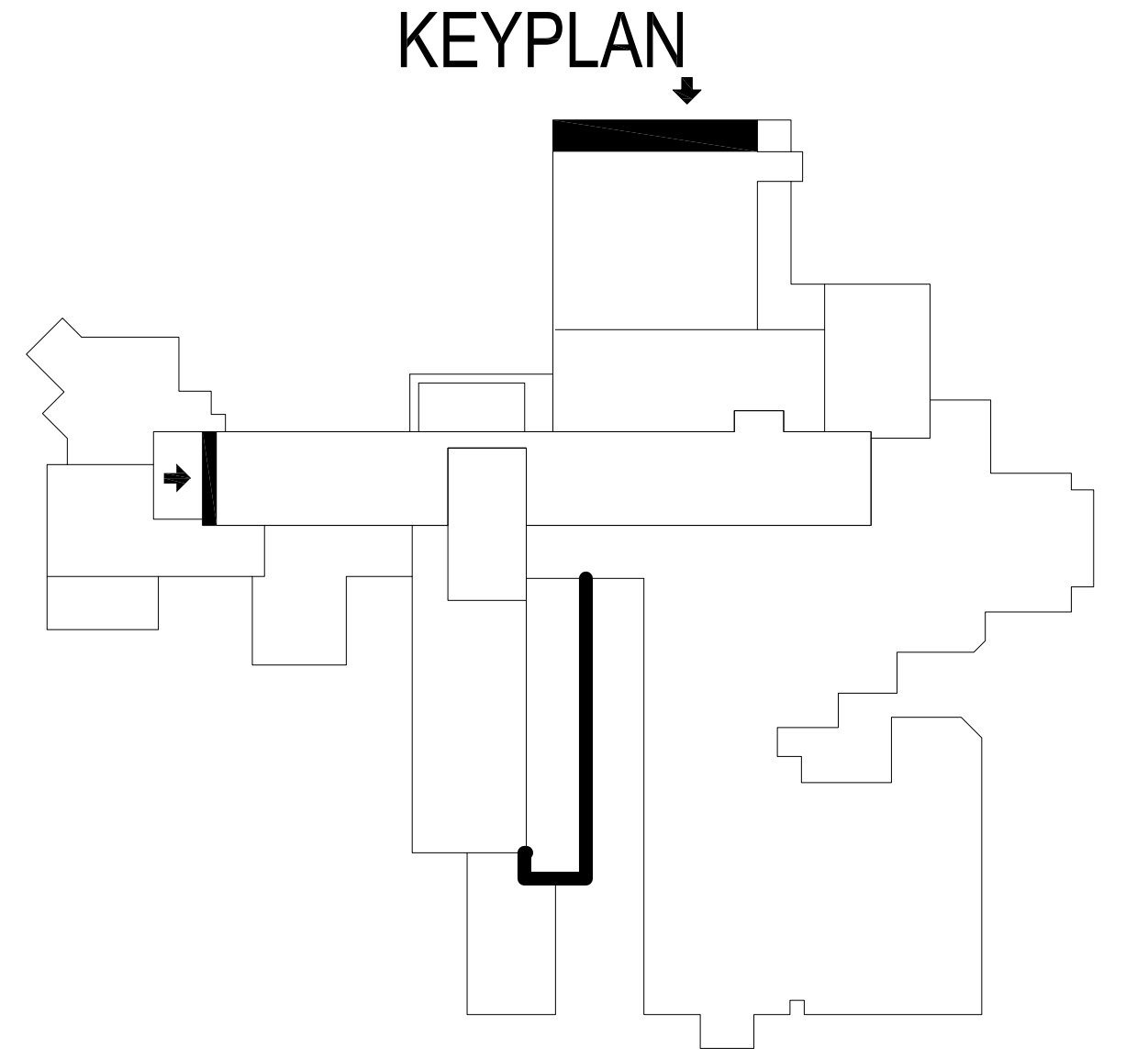
LEGEND



C1 NORTH ELEVATION  
3/32" = 1'-0"

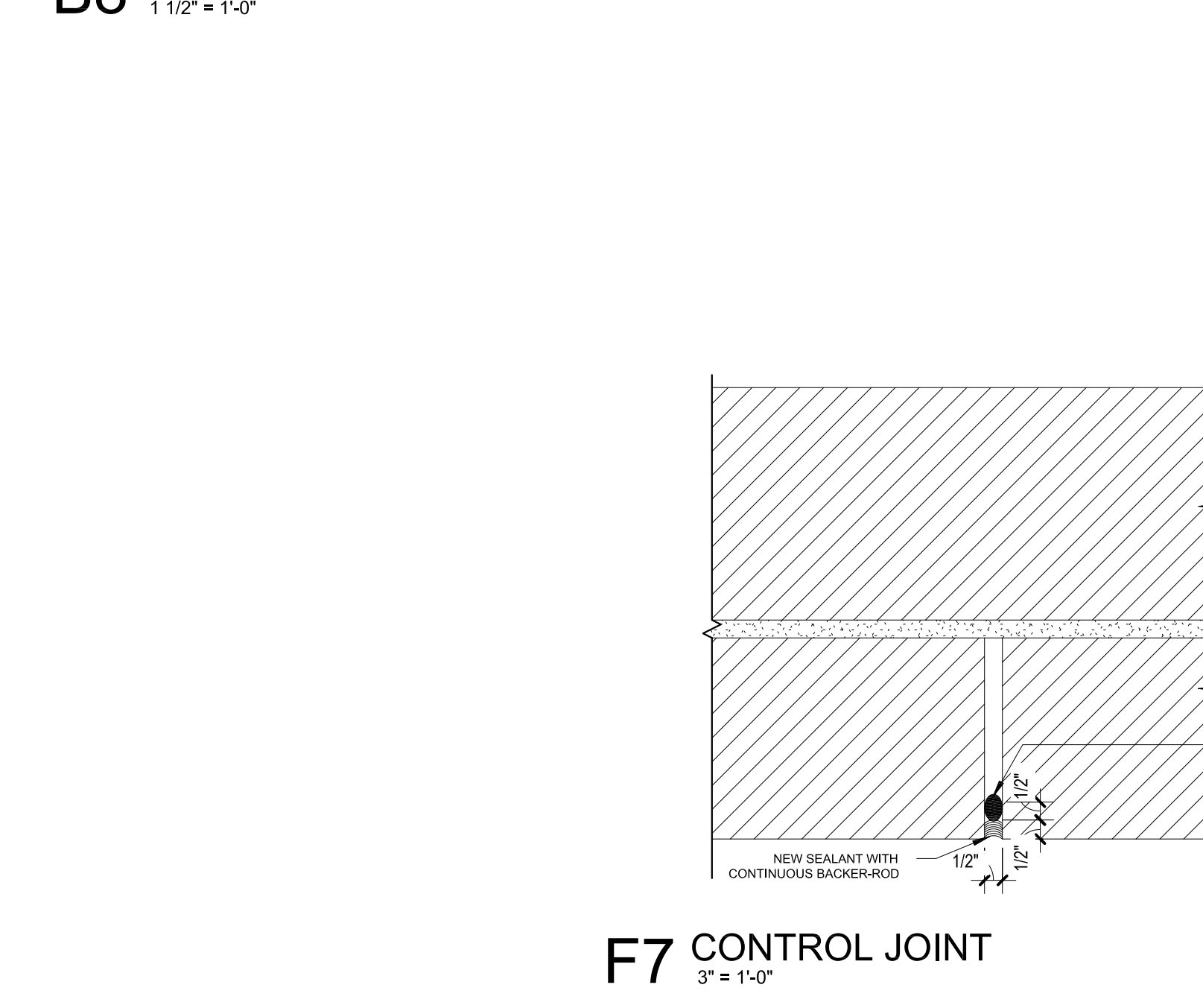
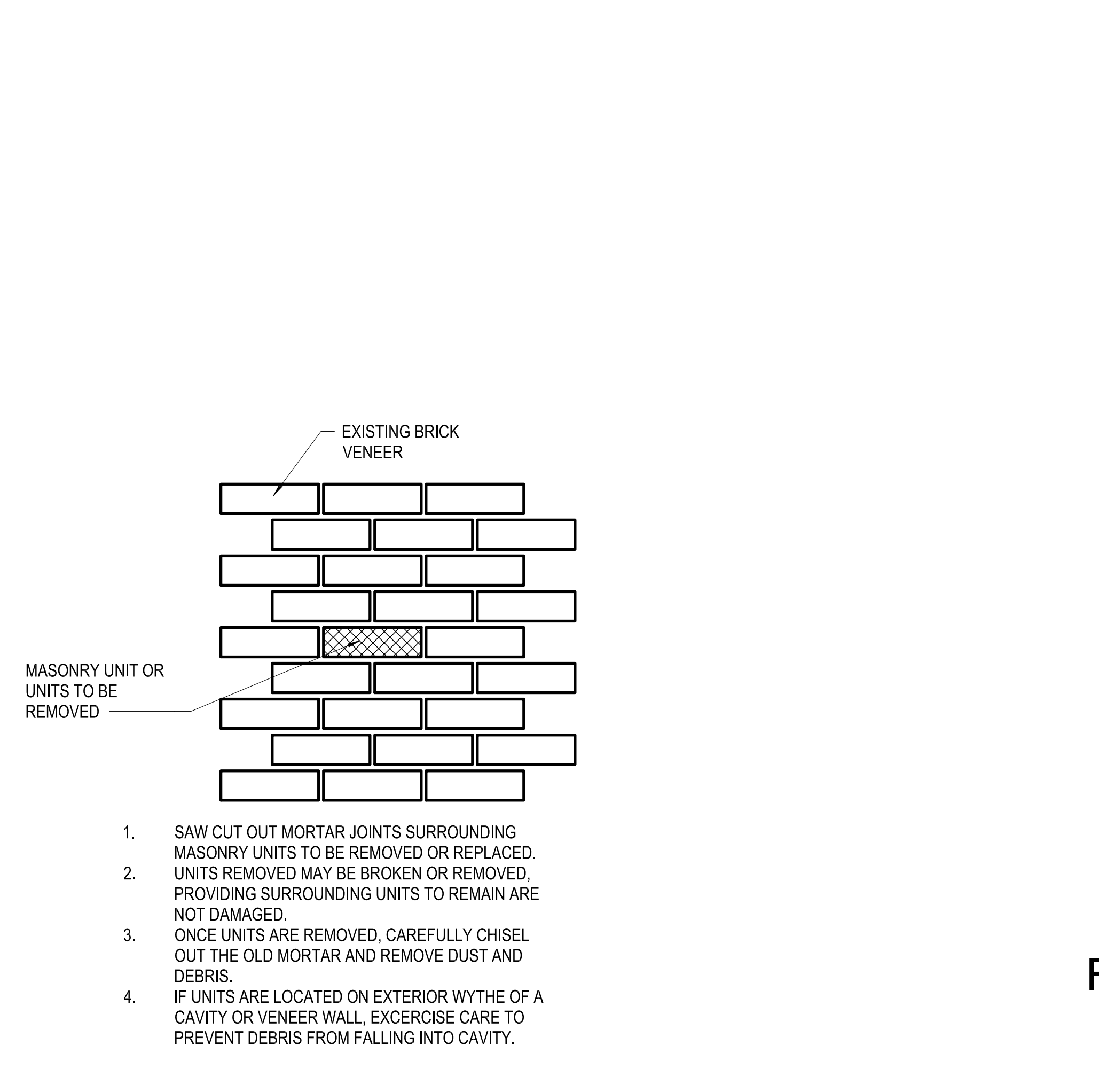
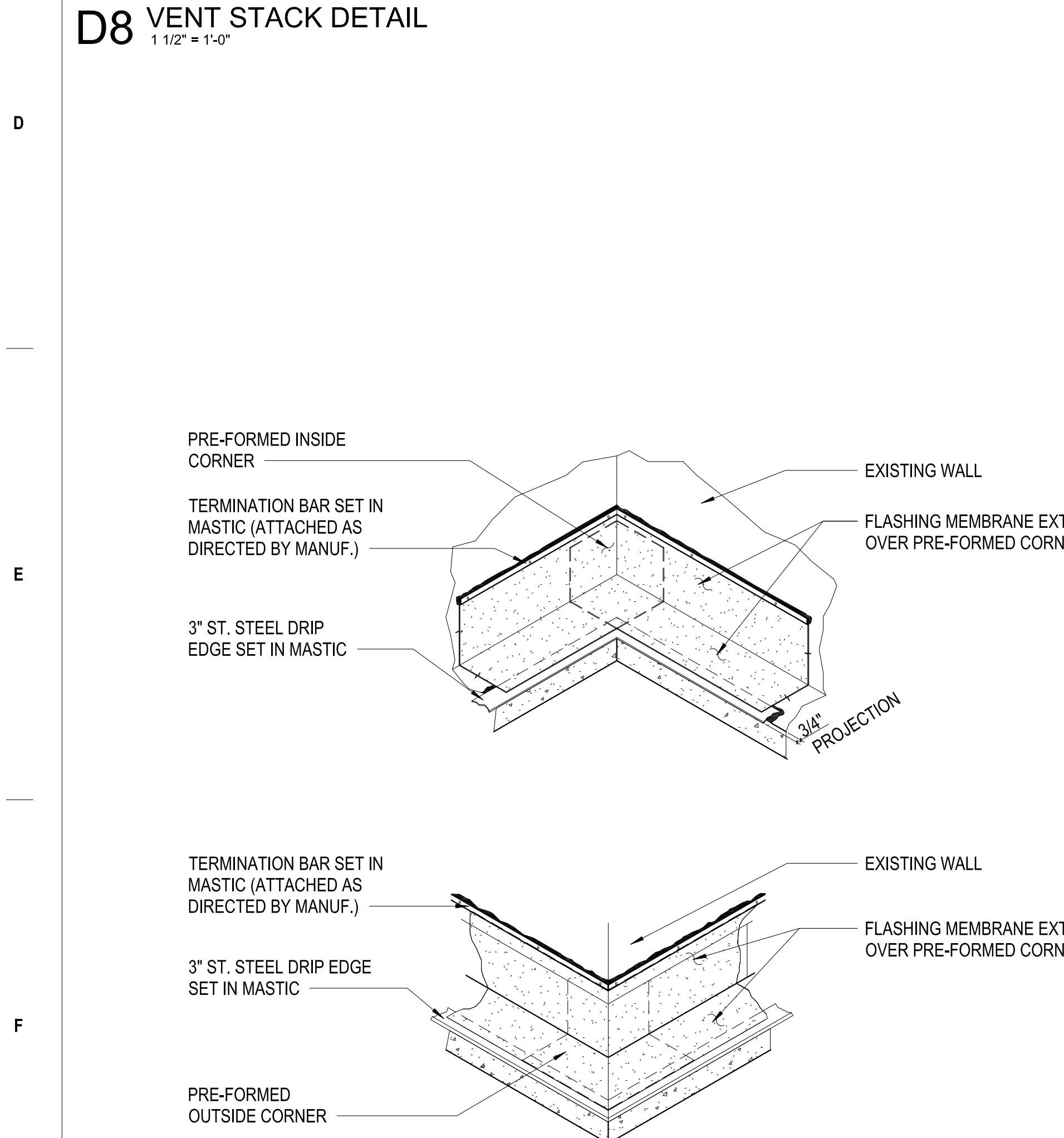
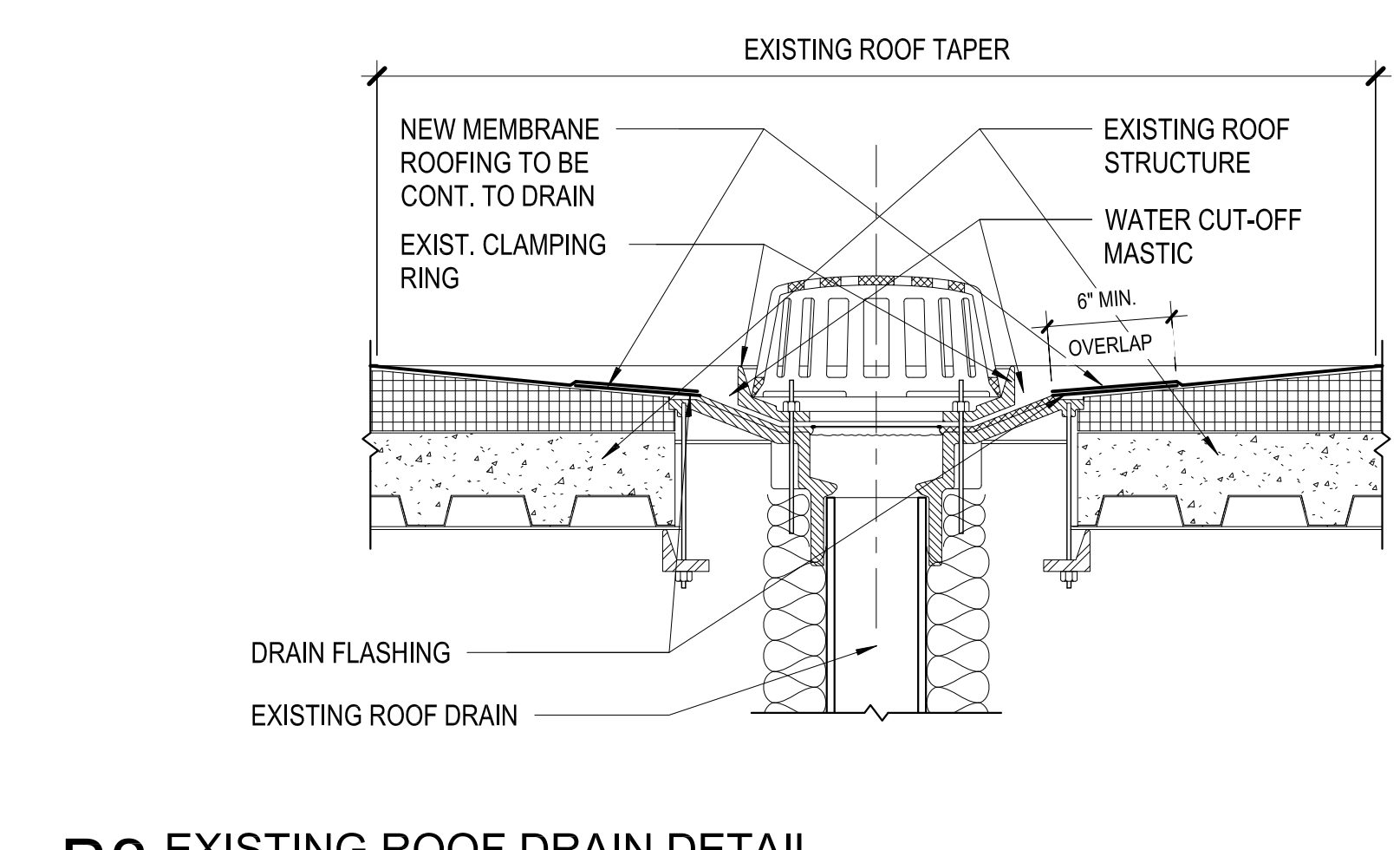
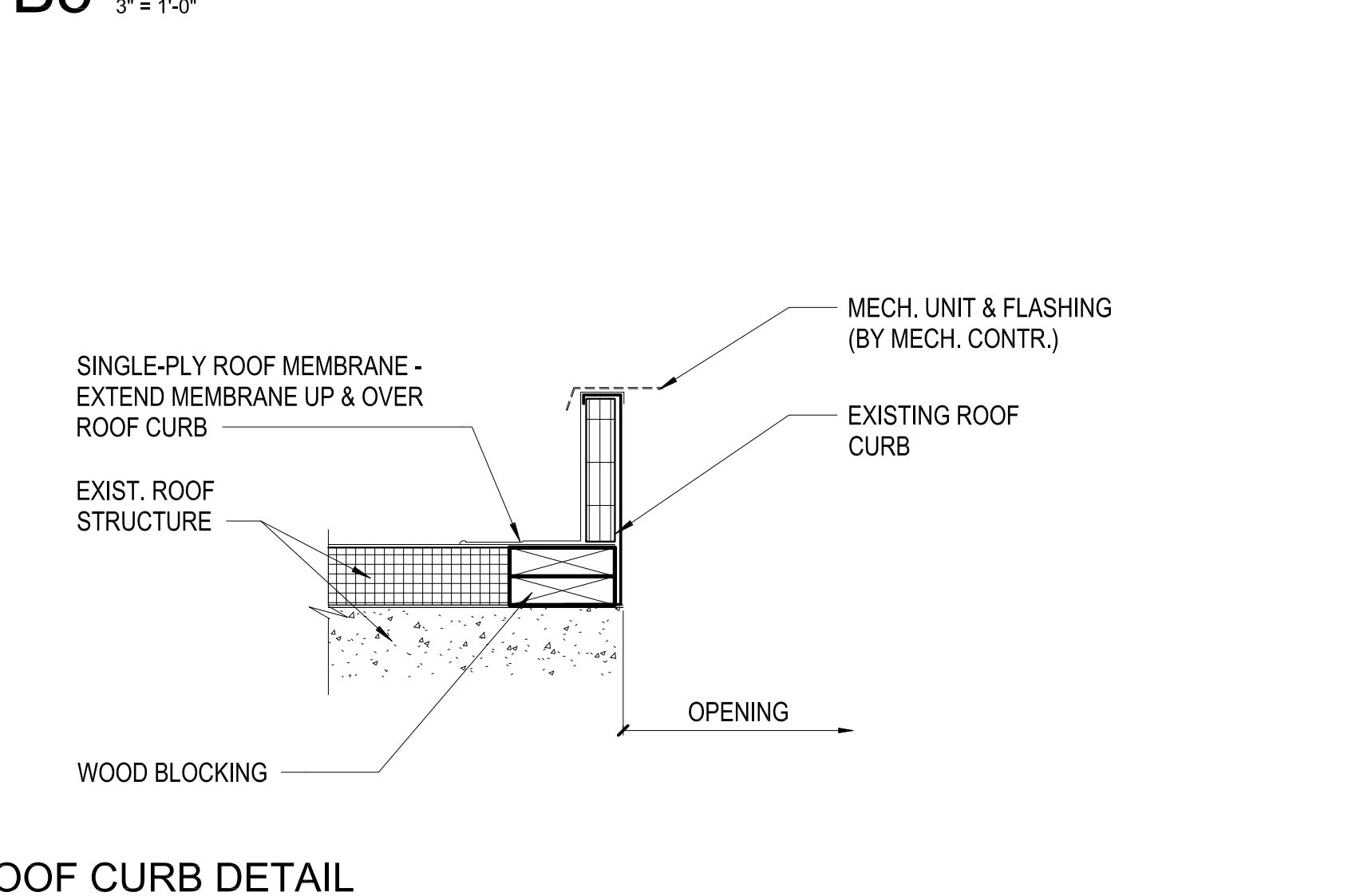
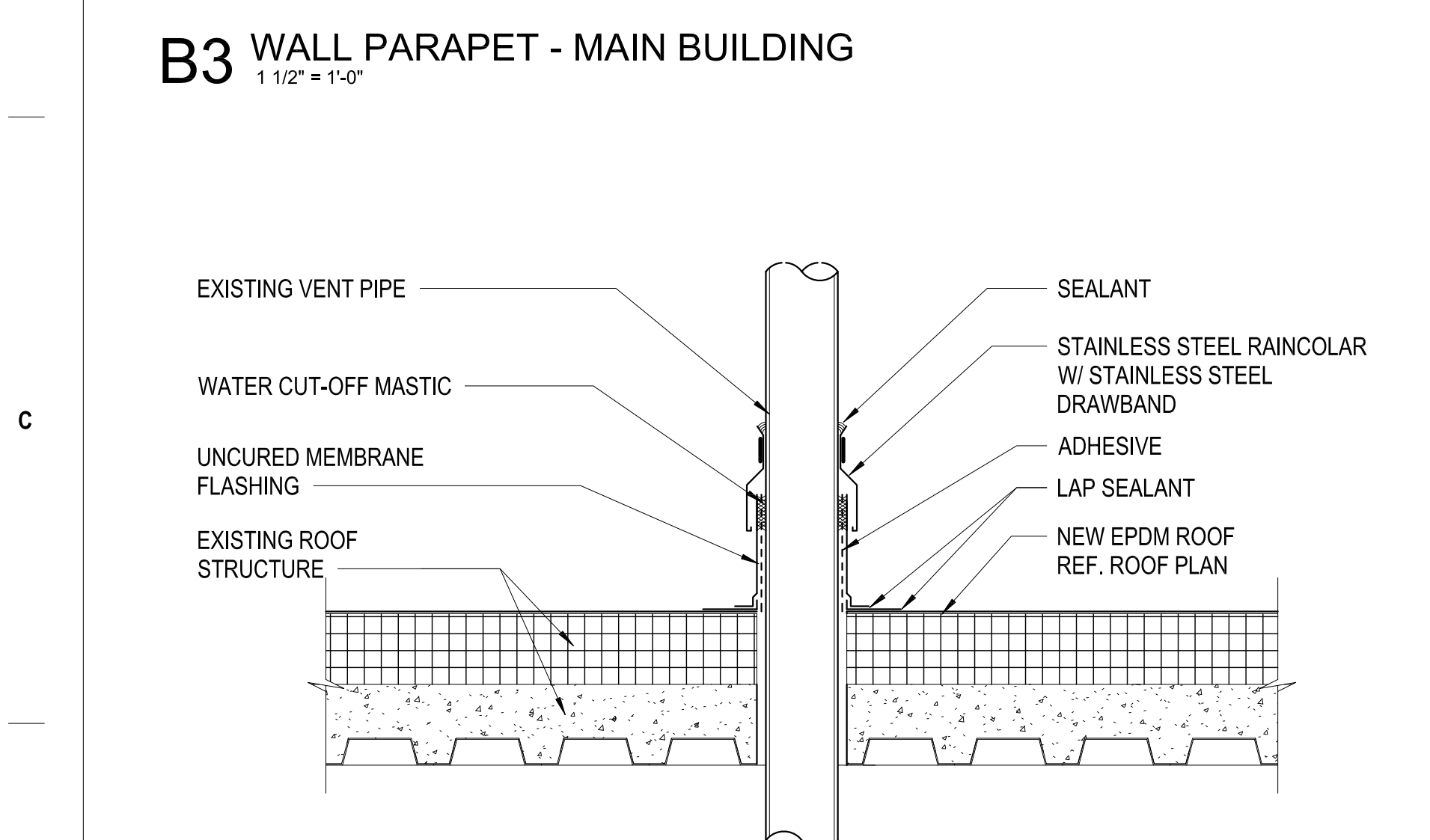
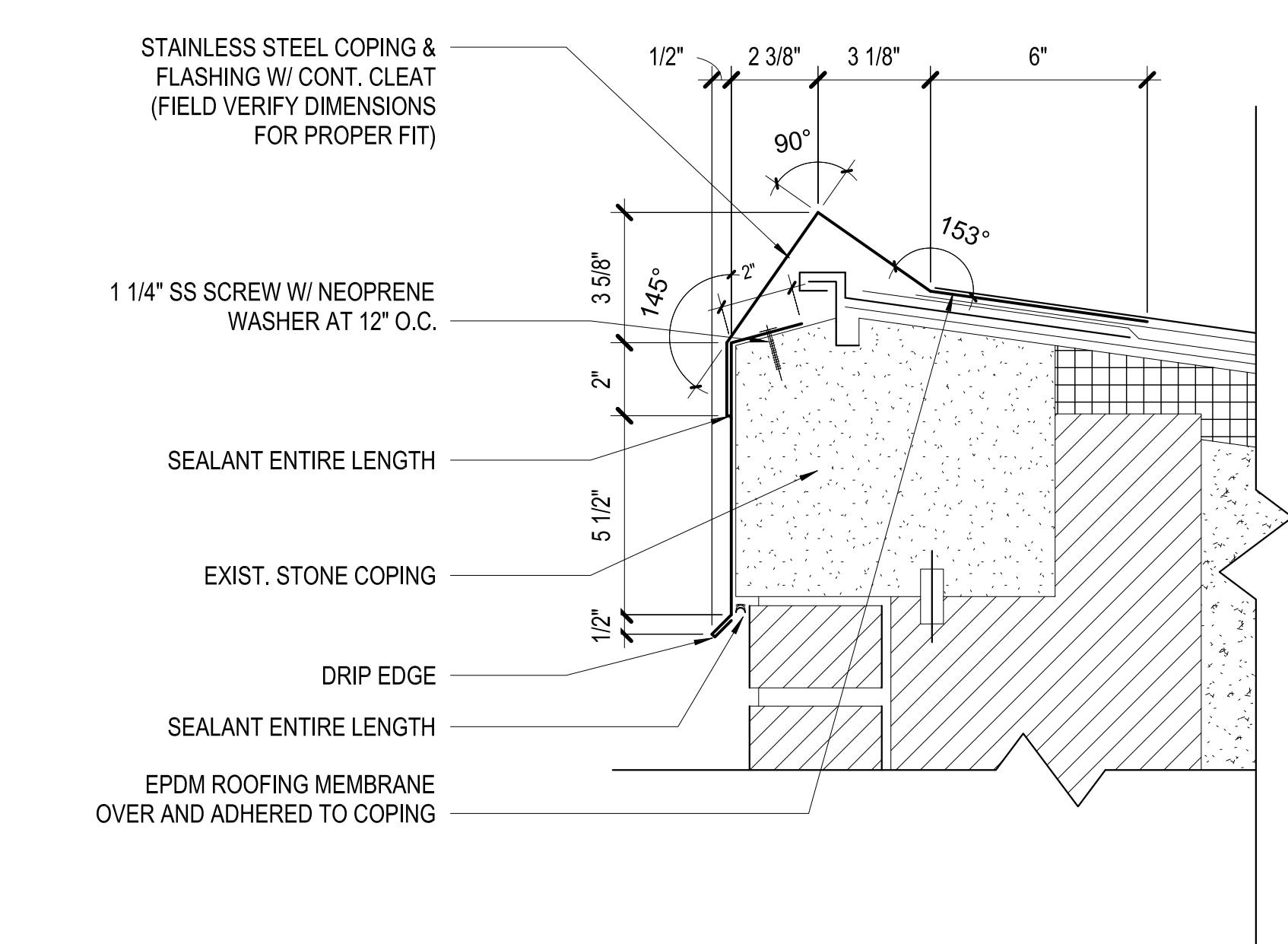
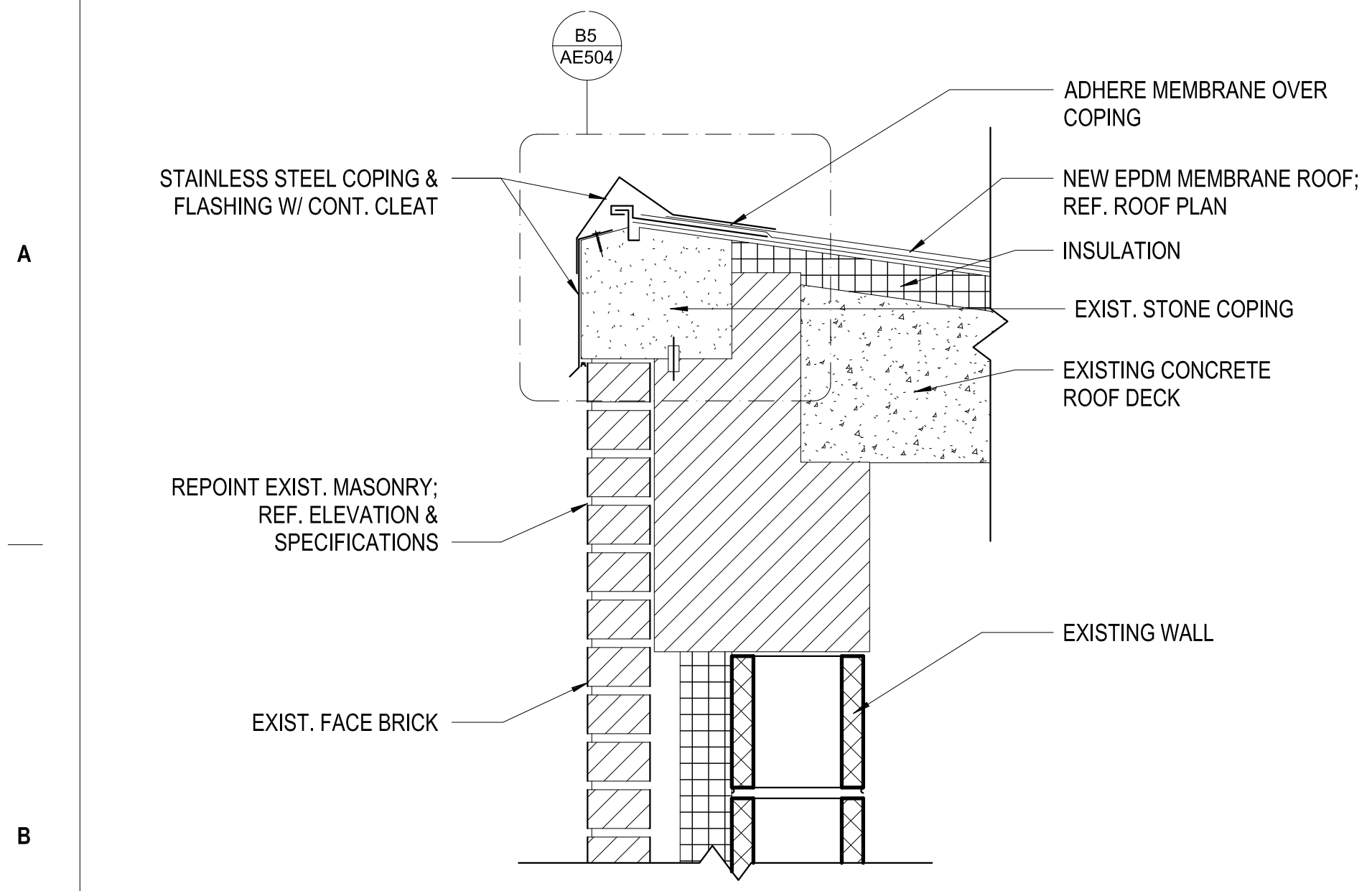


F1 EAST ELEVATION  
1/8" = 1'-0"



		CONSULTANT	ARCHITECT/ENGINEER OF RECORD	STAMP	Office of Construction and Facilities Management U.S. Department of Veterans Affairs	Drawing Title BLDG 1 ELEVATIONS	Phase CONSTRUCTION DOC.	Project Title REPAIR BRICK, MORTAR, AND ROOF BLDG 1	Project Number 503-24-105
						Approved: Project Director		Location JAMES E VAN ZANDT MC	Building Number 01
								Issue Date 10/17/2024	Checked GC
								Drawn MD	Drawing Number AE203

6/14/2024 12:28:53 PM



Revisions:	Date:

CONSULTANT	ARCHITECT/ENGINEER OF RECORD	STAMP

Office of Construction and Facilities Management U.S. Department of Veterans Affairs	Drawing Title CONSTRUCTION DETAILS	Phase CONSTRUCTION DOC.	Project Title REPAIR BRICK, MORTAR, AND ROOF BLDG 1	Project Number 503-24-105
	Approved: Project Director		Location JAMES E VAN ZANDT MC	Building Number 01
			Issue Date 10/17/2024	Checked GC
				Drawn MD
				Drawing Number AE504